

# KM MSG283 Compact

## Mechanical Grammer Suspension



Compact Mech  
Suspension  
**PN: 8438**

**110 - 290 lb weight  
adjustment** for  
individual fit and comfort



**Suspension travel  
of 2.75"**

**Rubber molded  
suspension cover**  
keeps suspension  
components free of  
dirt and dust

**2.36" height  
adjustment**

See **REVERSE**  
for applications,  
drawings  
and options.

- **Grammer MSG283 Mechanical Suspension**
- Narrow, compact mechanical suspension
- Flip handle weight adjustment
- Internal shock and spring
- Mounting patterns include 4.75" or 5.5" side-to-side; 4.75", 5.4", 8", 9", 10.3" or 11.25" front-to-back

**TRACTORSSEATS.com CONSTRUCTIONSEATS.com**



**800-328-1752**

308 NW 2nd Street • Renville, MN 56284



## APPLICATIONS



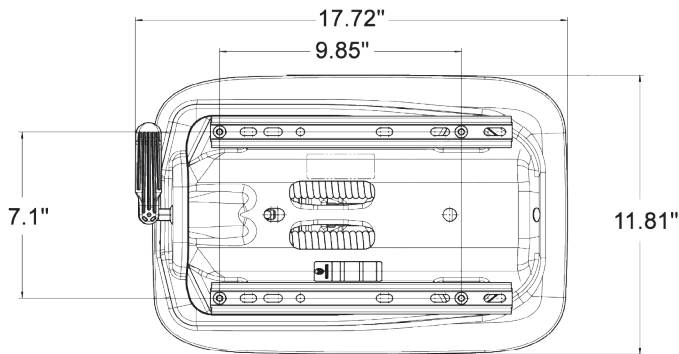
Utility Tractors

Ideal for Small, Utility Tractors and where the KM 283 Uni Pro Seat & Suspension or Grammer MSG283/531 Seat is Used

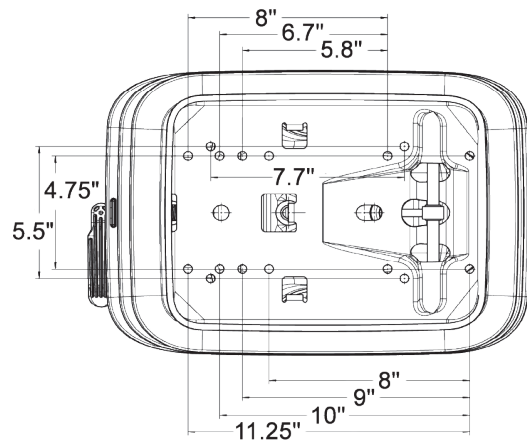
## MAINTENANCE ITEMS

8635 Replacement Flip Handle

### TOP VIEW



### BOTTOM VIEW



### SIDE VIEW

