

# Universal Mounting Plate, Seat Adapter Plate & Brackets

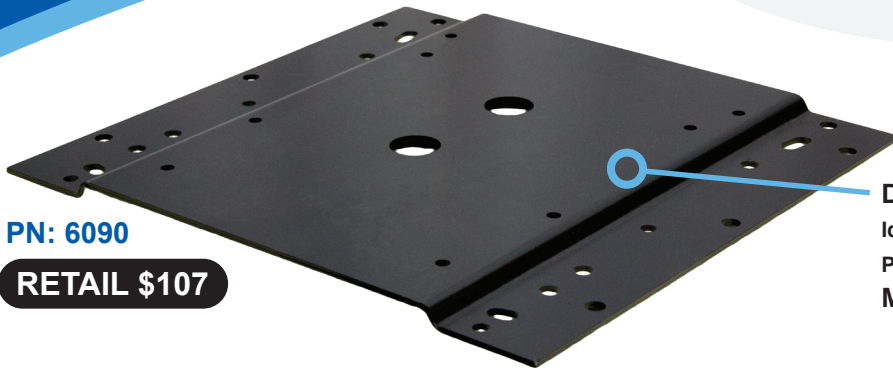


## CHOOSE FROM

Universal Construction Mounting Plate  
**PN: 6090**

OR  
Caterpillar Seat Adapter Plate  
**PN: 6097**

OR  
C Channel Seat Adapter Brackets  
**PN: 6100**



**PN: 6090**

**RETAIL \$107**

**Dimensions:** 19.06" x 17.88" x 0.66" (W x D x H)  
**Ideal for adapting a Seat & Suspension into a 15" Wide Mounting Pattern.** Used for adapting suspension to KM 1200 Uni Pro™.

### Mounting Patterns Include:

- (W x L) 15" x 15.75" - Commonly used in Caterpillar® Skidders
- (W x L) 17.87" x 12.6" - Commonly used in Caterpillar®
- (W x L) 15" x 12.5" - Commonly used in John Deere® Crawlers, Komatsu®
- (W x L) 14.5" x 11.8" - Commonly used in Case® Wheel Loaders

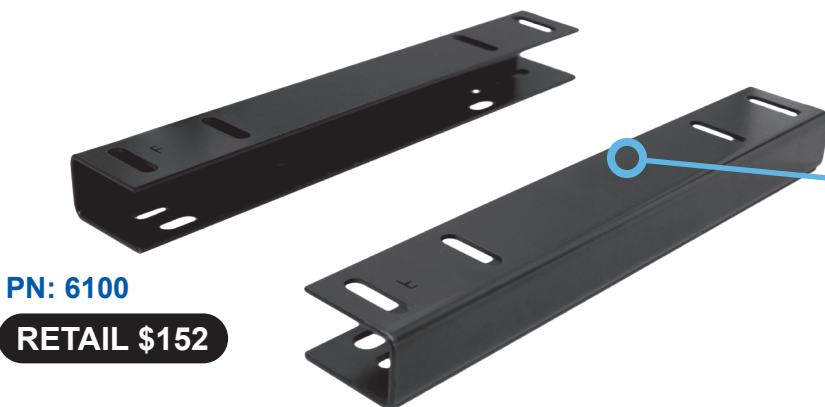


**PN: 6097**

**RETAIL \$103**

**Dimensions:** 16.63" x 17.38" x 1.25" (W x D x H)  
**Ideal for adapting a Seat & Suspension into a 15" Wide Mounting Pattern.** Used on the KM 1212 Uni Pro™ Seat & Suspension, KM 1400 Uni Pro™ Seat & Suspension & KM 1410 Uni Pro™ Seat & Suspension.

See **REVERSE** for drawings.



**PN: 6100**

**RETAIL \$152**

**Sold as a pair**

**Dimensions:** 2.26" x 15" x 1.55" (W x D x H)  
**Can be used on multiple applications.** Used for adapting a Seat & Suspension into a 15" Wide Mounting Pattern.

- Steel plate
- Black powder coat finish

TRACTORSSEATS.com CONSTRUCTIONSEATS.com

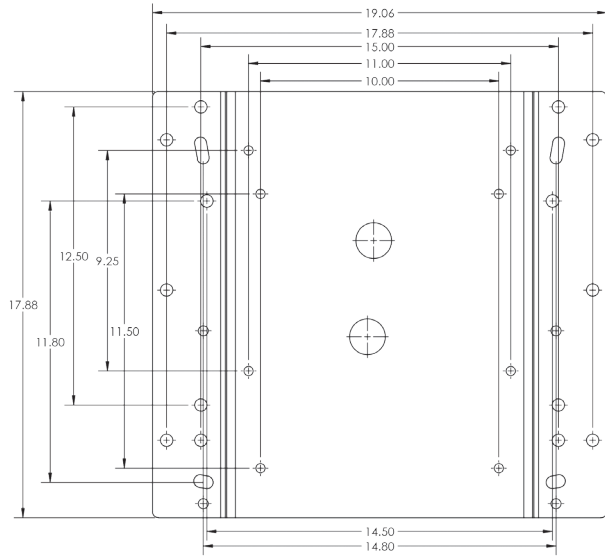


**800-328-1752**

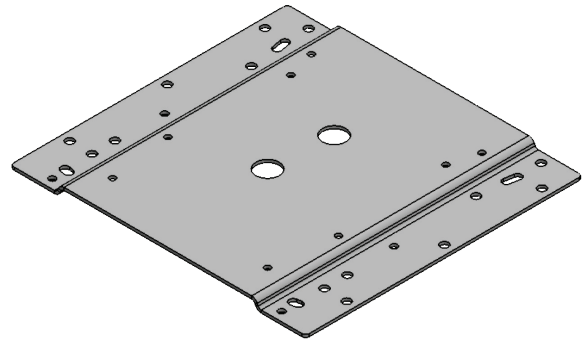
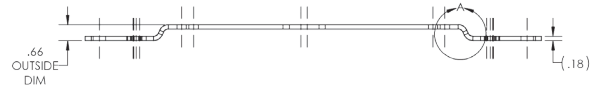
308 NW 2nd Street • Renville, MN 56284



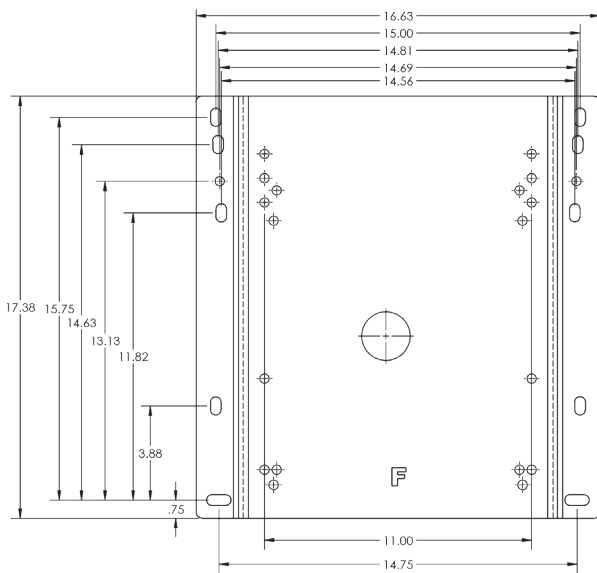
**PN: 6090 - BOTTOM VIEW**



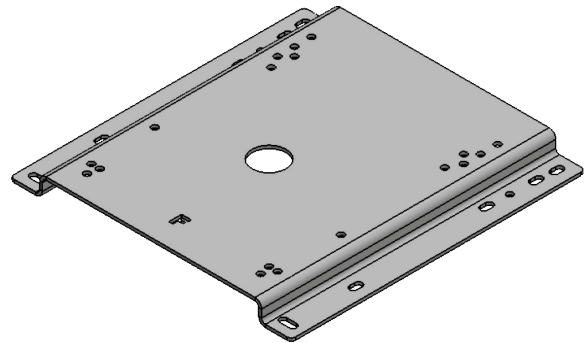
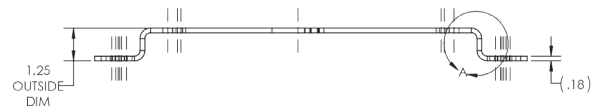
**PN: 6090 - SIDE VIEW**



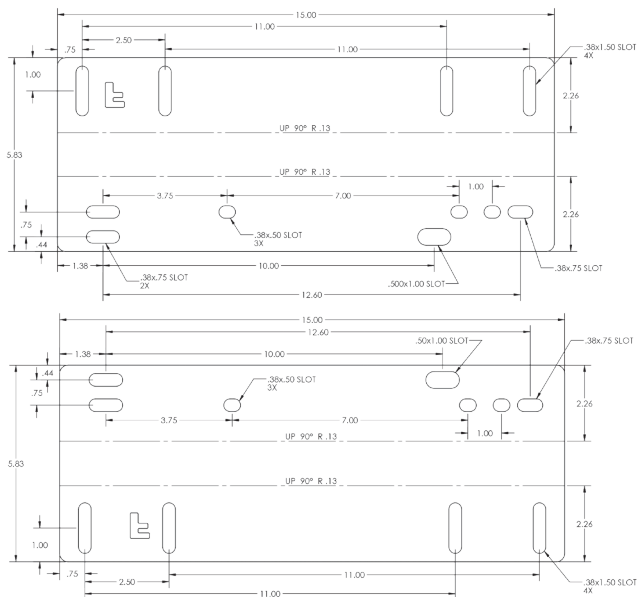
**PN: 6097 - BOTTOM VIEW**



**PN: 6097 - SIDE VIEW**



**PN: 6100 - BOTTOM VIEW**



**PN: 6100 - SIDE VIEW**

