

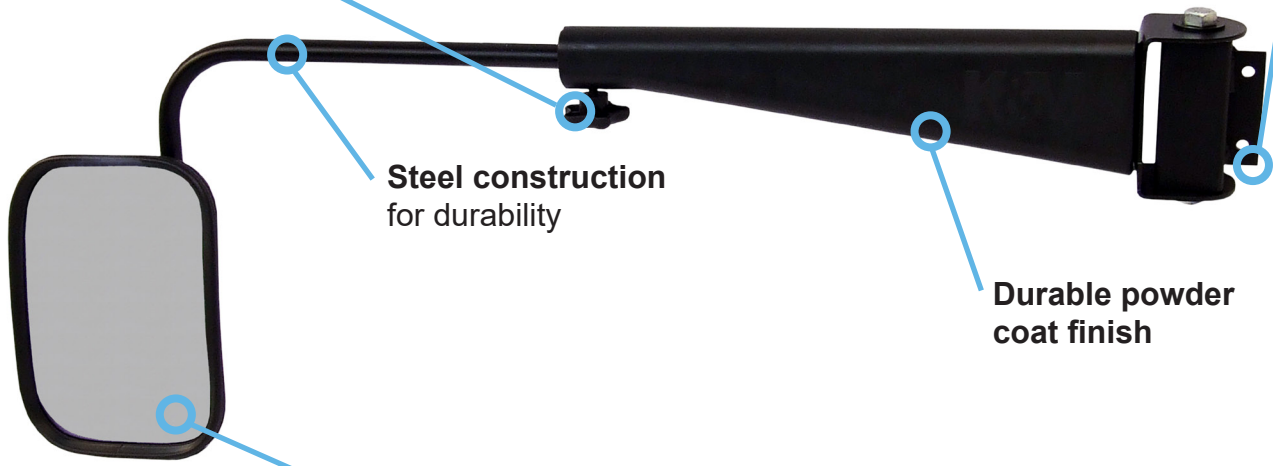
Allis Chalmers/Deutz-Allis

Mirror



Length easily adjustable from 22" - 36" to allow sight around any implement or trailer

Modern Breakaway System prevents damage from obstacles



Steel construction for durability

Durable powder coat finish

8" x 11" wide angle convex mirror head improves field of vision

Note: Mounting bracket not shown, but standard with mirror. See reverse for drawing.

See **REVERSE** for applications and options.

- Easily adjustable and extendable to 14"
- Fits the left-hand or right-hand side
- Includes hardware, mounting bracket and install instructions

TRACTORSSEATS.com



800-328-1752

308 NW 2nd Street • Renville, MN 56284



APPLICATIONS



Tractors

Fits - Allis Chalmers® Tractors: 6140, 9435, 9455,
9630, 9635, 9650, 9655, 9670, 9675, 9690, 9815
Deutz-Allis® Tractors: 6260 Star Cab, 6265 Star
Cab, 6275 Star Cab, 6275 VF

OPTIONS

3110 Mirror Head Rect. Convex

VIEW WITH BRACKET

