

JD 8000(T)-8030(T) Series

Seat & Suspension Kits



CHOOSE FROM



OR



OR



1000 Uni Pro™ Seat & Air Suspension
PN: 6750
Brown Fabric

1003 Uni Pro™ Seat & Air Suspension
PN: 6751
Brown Fabric

KM 1000/1003 Air Suspension
PN: 6776

See **PAGE 2** for applications, drawings and additional part information.



PN: 6751



PN: 6750

Adjustable padded armrests fold up and out of the way allowing easy access to the seat and individual comfort

Adjustable backrest angle adds comfort and versatility

Fore/aft isolator absorbs jarring for extra comfort (Isolator can also be disabled.)

Side-to-side isolator provides lateral movement (Just PN: 6750)

Easily accessible push-pull air switch

Adjustable shock absorber (Just PN: 6750)

- Replacement kits for seat & air suspension
- Made with durable brown Tufftex fabric
- Adjustable lumbar support
- Air suspension for smoother, more comfortable ride
- Self-contained 12-volt compressor is wired to tractor's electrical system to provide power to the suspension
- Slide rails provide 5" fore/aft adjustment
- Durable rubber molded suspension cover
- Comes standard with operator presence switch

PN: 6750 Includes: KM 1000 Uni Pro™ Seat & Suspension, JD Command Arm Bracket, Pedestal, Seat Adapter Plate, Wiring Harness, Install Hardware & Installation Instructions

PN: 6751 Includes: KM 1003 Uni Pro™ Seat & Suspension, JD Command Arm Bracket, Pedestal, Seat Adapter Plate, Wiring Harness, Install Hardware & Installation Instructions

Swivel is Optional (PN: 5003 for PNs: 6750 & 6751)

APPLICATIONS

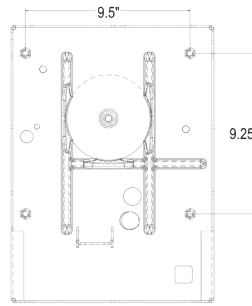


Tractors

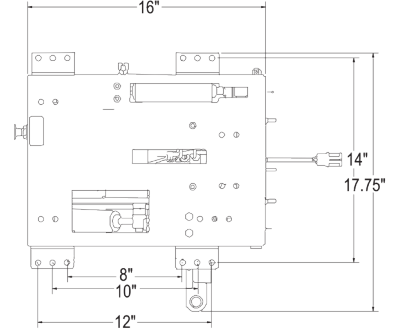
Fits - John Deere® 8000(T)-8030(T) Series Tractors:

- 8000 Series:** 8100, 8200, 8300, 8400;
- 8010 Series:** 8110, 8210, 8310, 8410;
- 8020 Series:** 8120, 8220, 8320, 8420, 8520;
- 8030 Series:** 8130, 8230, 8330, 8430, 8530, 8630;
- 8000T Series:** 8100T, 8200T, 8300T, 8400T;
- 8010T Series:** 8110T, 8210T, 8310T, 8410T;
- 8020T Series:** 8120T, 8220T, 8320T, 8420T, 8520T;
- 8030T Series:** 8230T, 8330T, 8430T

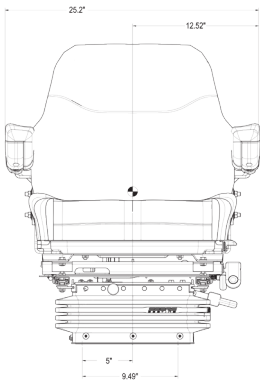
**BOTTOM VIEW
PN: 6776**



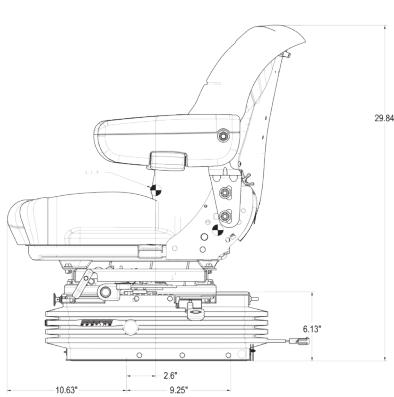
**TOP VIEW
PN: 6776**



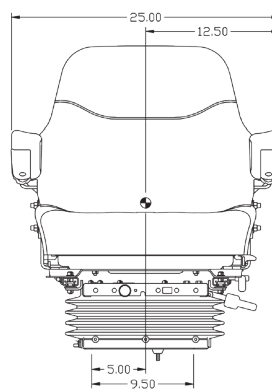
**FRONT VIEW
PN: 6750**



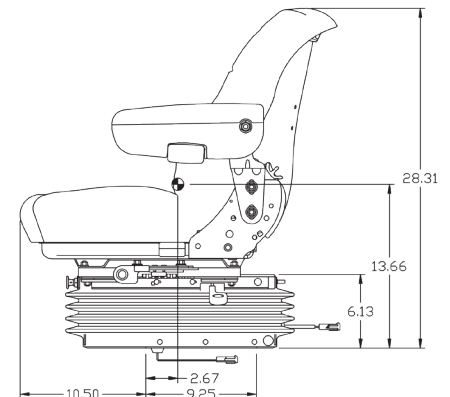
**SIDE VIEW
PN: 6750**



**FRONT VIEW
PN: 6751**



**SIDE VIEW
PN: 6751**



PN: 6776 Includes: KM 1000/1003 Air Suspension, Replacement Personal Posture Seat Cushion, JD Command Arm Bracket, Pedestal, Slide Rails, Seat Adapter Plate & Angles, Swivel, Install Hardware & Installation Instructions

***Note:** For PN: 6776, must re-use with original personal posture seat. **DOES NOT WORK WITH 8020, 8030, 8020T or 8030T Series.** Does not work with semi-active-new style seats.

PN: 6776*



Air valve

Rubber molded suspension cover keeps suspension components free of dirt and dust

- Suspension replacement kit
- Original Sears air suspension
- Self-contained 12-Volt compressor
- Fore/aft isolator absorbs jarring for extra comfort
- 5" suspension stroke
- 9" maximum height