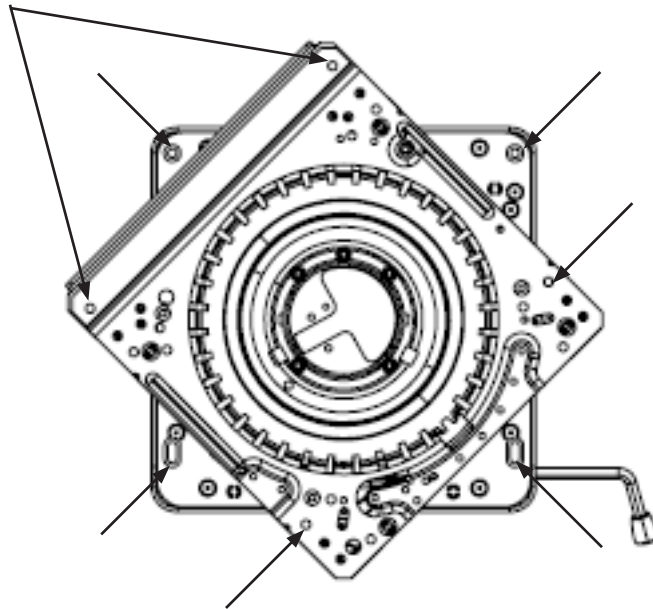


Installation Instructions for KM 1061 Uni Pro Seat & Suspension in John Deere Early 6R Tractors with Command Arm

1. Remove the right hand command arm from the OEM seat. Be sure to keep the original mounting hardware.
2. Remove the seat from the cab.
3. Remove the seat top from the new suspension. Use the additional instruction guide or go to this link (<http://bit.ly/2AJfthi>) for a video on how to remove it.
4. Remove the right hand armrest from the seat top. To do so, remove the plastic cover and remove the nuts holding it on. The armrest can be discarded.
5. Prepare the swivel by removing the plastic knock outs from the locations shown below by the unlabeled arrows. Also, remove the two flat head socket cap screws and nuts holding the flat bar on to the rear of the swivel. The nuts and screws can be discarded. Keep the flat bar.

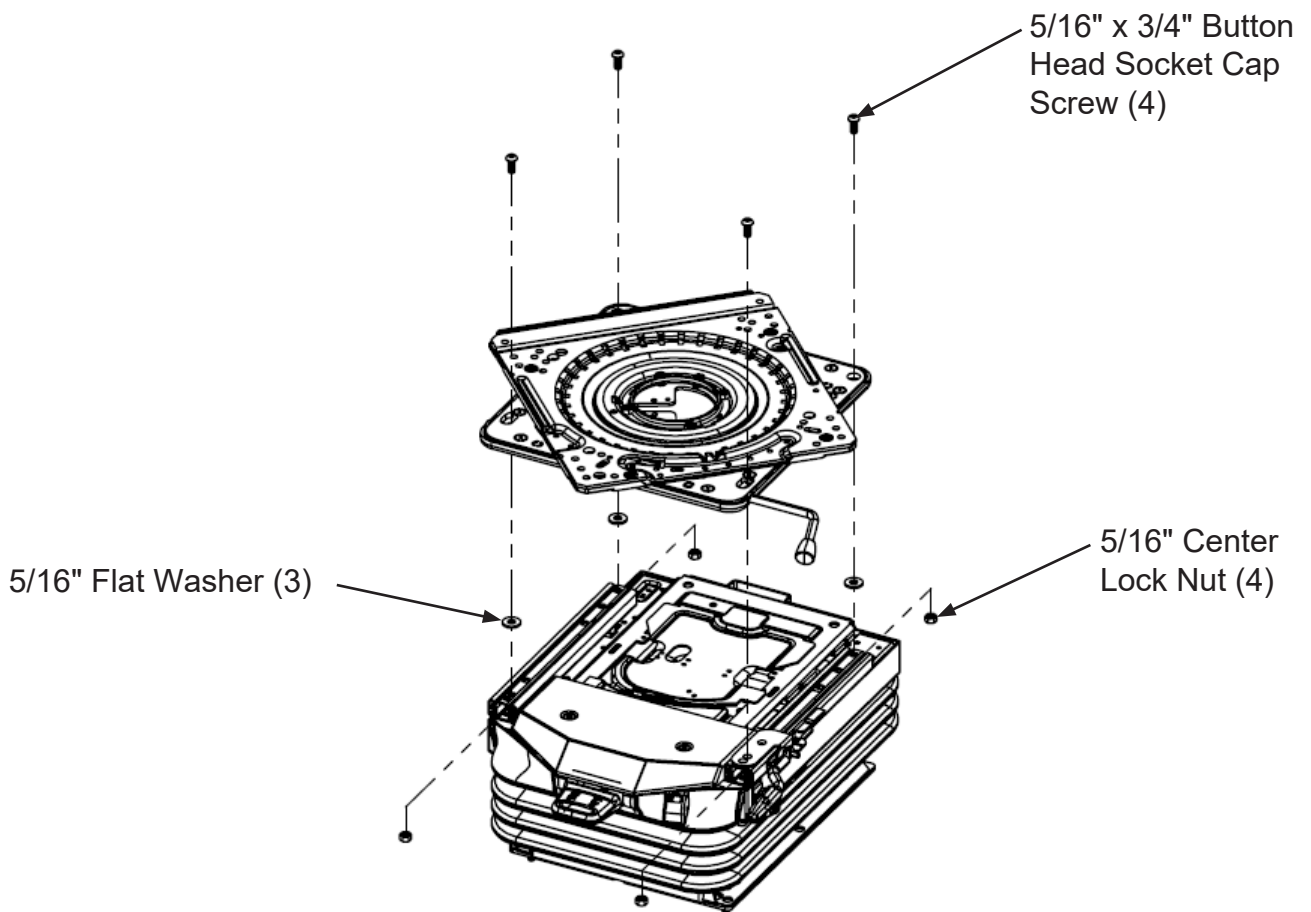
Flat head cap
screws and nuts to
be removed.



Installation Instructions for KM 1061 Uni Pro Seat & Suspension in John Deere Early 6R Tractors with Command Arm

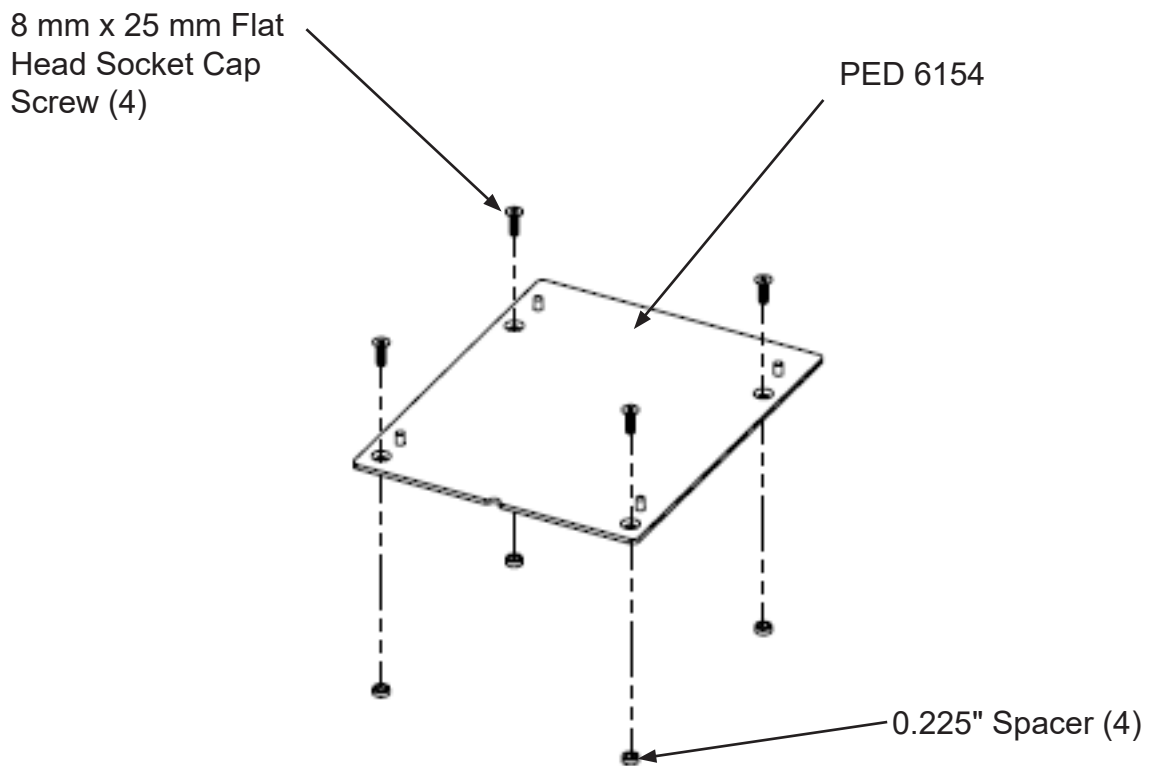
- Use three 5/16" flat washers as spacers to level the swivel on the slide rails. Install one on the second from the front hole on the right slide rail and one each on the rear holes of each slide rail.
- Place the swivel on top of the slide rails and fasten down with four 5/16" x 3/4" button head socket cap screws and four 5/16" center lock nuts.

NOTE: You will have to adjust the slide rails forward and backwards to get the nuts on.



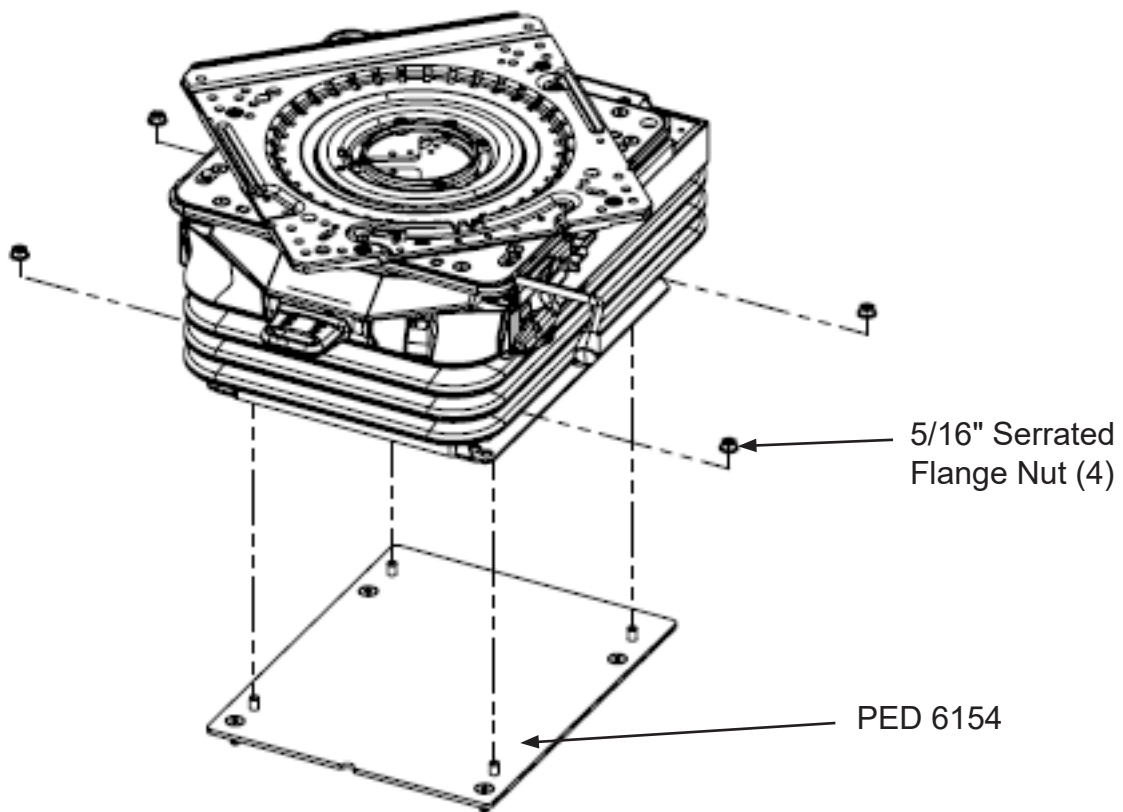
Installation Instructions for KM 1061 Uni Pro Seat & Suspension in John Deere Early 6R Tractors with Command Arm

8. Mount the PED 6154 to the floor of the tractor using four 8 mm x 25 mm flat head socket cap screws and four .225" spacers. The spacers go in between the PED and the floor.



**Installation Instructions for KM 1061 Uni Pro Seat & Suspension
in John Deere Early 6R Tractors with Command Arm**

9. Place the swivel and suspension assembly into the cab and mount to the PED 6154 using four 5/16" serrated flange nuts.



Installation Instructions for KM 1061 Uni Pro Seat & Suspension in John Deere Early 6R Tractors with Command Arm

10. Install the 8 mm coupling nut onto the stud that held on the right hand armrest.
11. Mount the 6155 Command Arm plate and seat top to the swivel using two 5/16" x 1" flat head socket cap screws, two 5/16" x 3/4" button head socket cap screws and four 5/16" serrated flange nuts. The flat head socket cap screws are used in the rear two holes and the button head socket cap screws are used in the front two holes. Be sure the flat bar that was on the swivel is reinstalled in its original location.
12. Secure the 6155 Command Arm Plate to the seat frame using an 8 mm x 12 mm bolt and 5/16" flat washer. The bolt with thread into the coupling nut that was installed.
13. Reinstall the seat cushion.
14. Mount the Command Arm to the 6155 Command Arm Plate using the original hardware.
15. Connect the Operator presence switch to the tractor connector.
16. Connect the suspension power to the tractor connector using the adapter harness provided.

