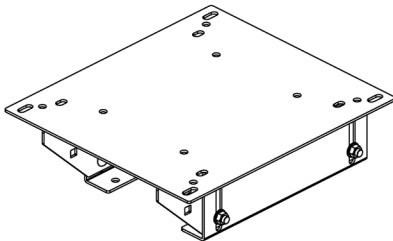
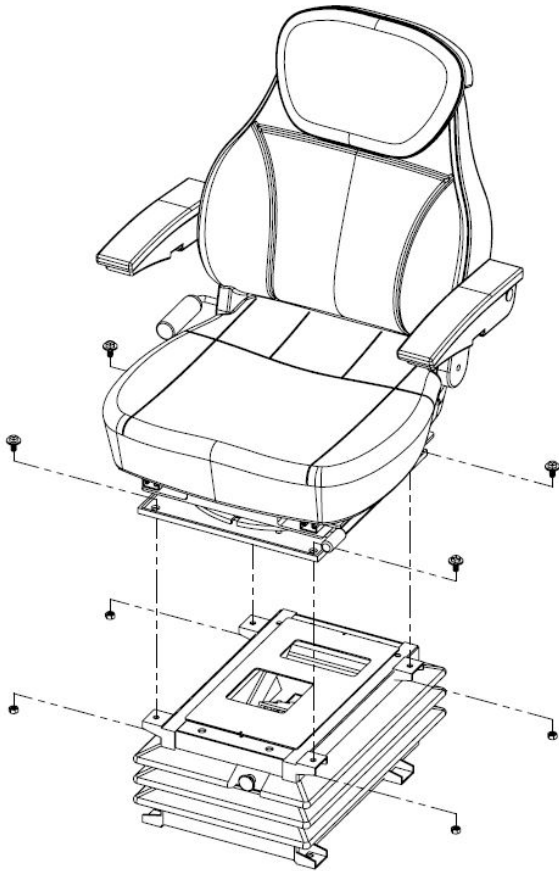


### Installation Instructions for KM 1005 Uni Pro Seat & Suspension in International Harvester Tractors with an Open Flat Floor

1. Remove the original seat and suspension from the tractor.
2. Fasten the PED 6004 Universal Pedestal to the floor of the tractor with four 5/16" x 3/4" bolts and flange nuts.
3. Bolt the suspension assembly to the universal pedestal with four 5/16" x 3/4" bolts and flange nuts.
4. Bolt the seat and swivel assembly to the suspension assembly using spacers and M8 bolts and nuts provided in the bolt bag. (Mechanical suspensions will not use nuts.)
5. Locate a power source and connect the suspension to power and ground.



Universal  
Pedestal  
PN: 6004