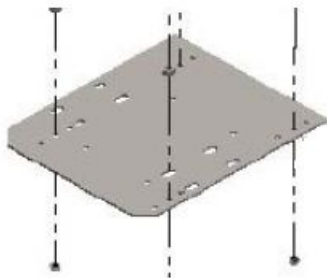
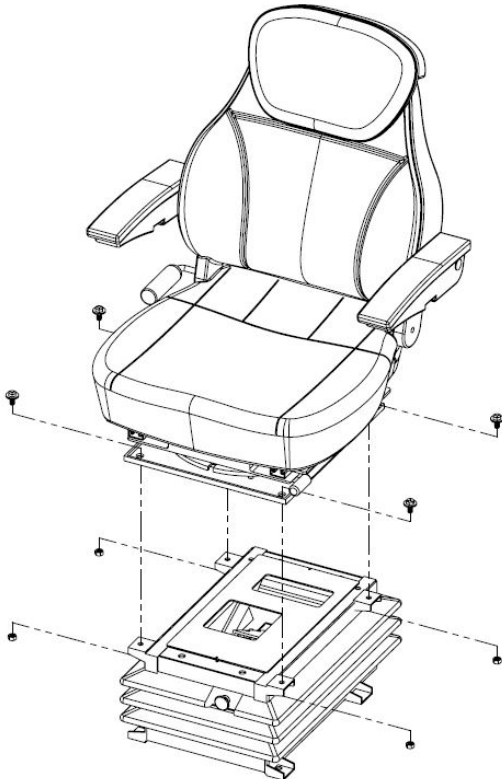


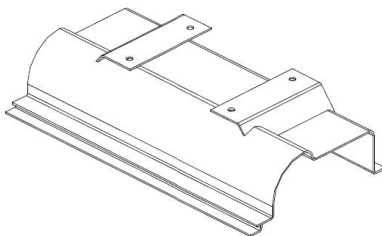
## Installation Guide 6418-6419-6420

### Installation Instructions for KM 1005 Uni Pro Seat & Suspension in International Harvester 86-88 Series Tractors

1. Remove the original seat and suspension from the tractor.
2. If original suspension was hydraulic cap the lines below the cab with nuts and plugs provided. Cut and plug breather line by turning a 5/16" bolt into the tube.  
(Disregard this step if original was mechanical suspension)
3. Fasten the 6136 pedestal to the original tractor support bracket with original bolts and nuts removed in step 1. Use hole pattern on pedestal so it is offset to the left.
4. Bolt the suspension assembly to the 6136 pedestal with four 5/16" x 1" bolts using 7/16" nuts as spacers between pedestal and suspension bottom. Fasten with 5/16 flange nuts.
5. Bolt the seat and swivel assembly to the suspension assembly using spacers and M8 bolts and nuts provided in the bolt bag. (Mechanical suspensions will not use nuts.)
6. Locate a power source and connect the suspension to power and ground.



PED  
PN: 6136



Original  
Support  
Bracket