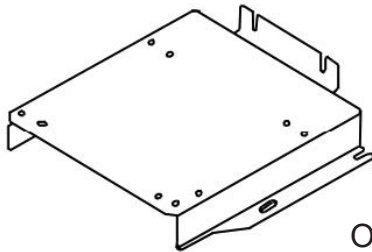
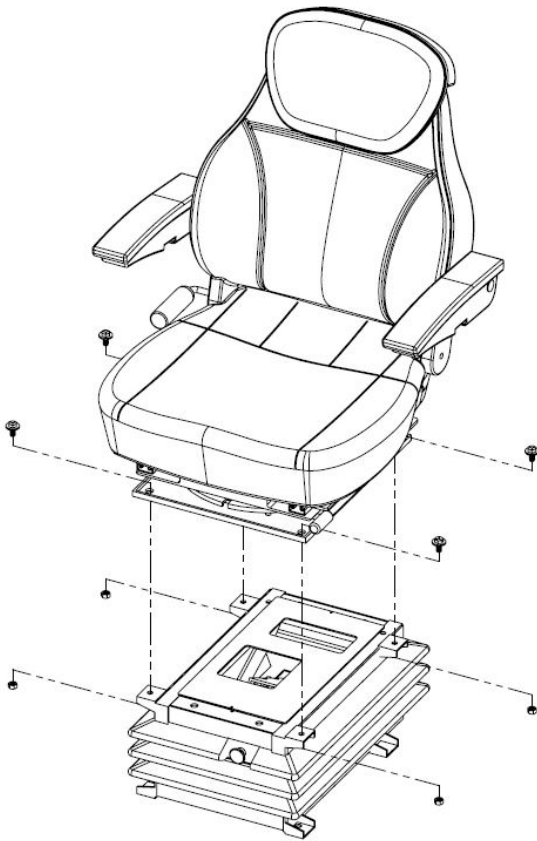


## Installation Guide 6412-6413

### Installation Instructions for KM 1005 Uni Pro Seat & Suspension in Case 870-2870 Tractors with Sears Seat

1. Remove the original seat and suspension assembly from the tractor.
2. Bolt the suspension assembly to the original pedestal with four 5/16" x 3/4" bolts and flange nuts. (Drilling may be required).
3. Bolt the seat and swivel assembly to the suspension assembly using spacers and M8 bolts and nuts provided in the bolt bag. (Mechanical suspensions will not use nuts.)
4. Locate power cable coming from lower part of suspension and connect to 12v power source from tractor.



Original  
Pedestal