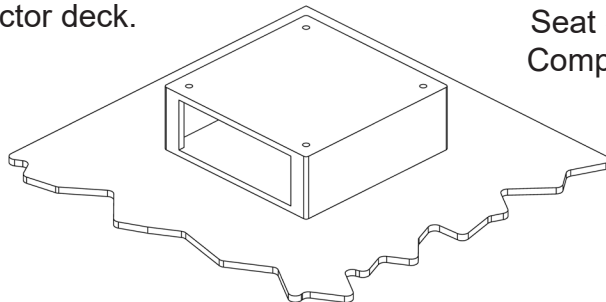


1. Remove the original seat and suspension assembly from the tractor.
2. Cap the hydraulic lines with the nuts and plugs provided. Cut and plug the breather line by turning a 5/16" bolt into the tube. (Disregard if original was mechanical suspension).
3. Place the suspension on the raised seat support compartment. Mark and drill four holes into the compartment (if needed).
4. Bolt the suspension assembly to the raised seat support with four 5/16" x 1" bolts and flange nuts.
5. Bolt the seat and swivel assembly to the suspension assembly using spacers and M8 bolts and nuts provided in the bolt bag. (Mechanical suspensions will not use nuts.)
6. Locate power cable coming from the lower part of the suspension and connect to 12v power source from the tractor.

Cut away of  
tractor deck.



Seat Support  
Compartment