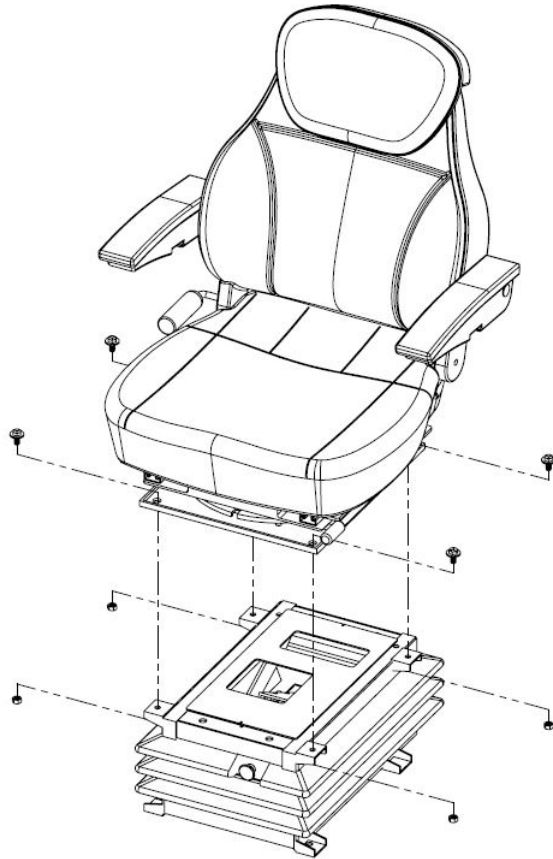


## Installation Guide 6407-6406

### Installation Instructions for KM 1005 Uni Pro Seat & Suspension in AGCO Allis or AGCO White Tractors

1. Remove the original seat and suspension assembly from the tractor.
2. Bolt the suspension assembly to the tractor cab deck with four 5/16" x 3/4" bolts and flange nuts. **(Drilling may be required.)**
3. Bolt the seat and swivel assembly to the suspension assembly using spacers and M8 bolts and nuts provided in the bolt bag. (Mechanical suspensions will not use nuts.)
4. If installing an Air Suspension locate the power cable coming from the lower part of the suspension and connect to 12v power source from the tractor.



To Deck of  
Tractor Cab