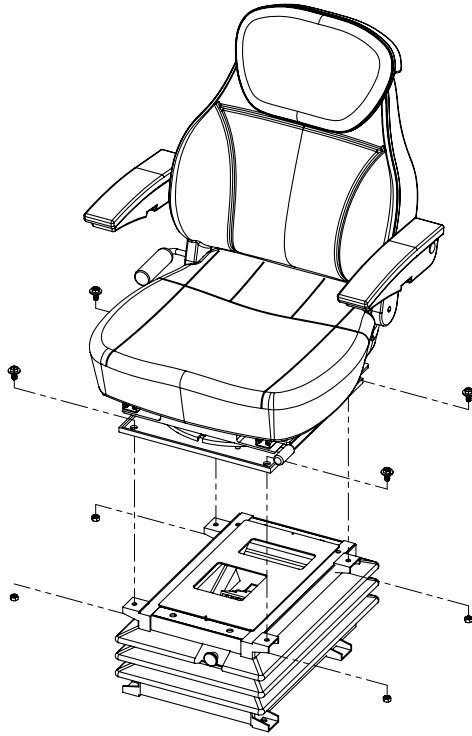
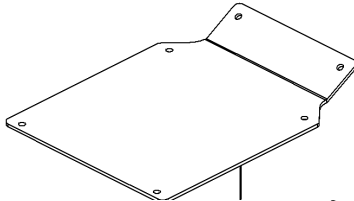


Installation Instructions for KM 1005 Uni Pro Seat & Suspension in Allis Chalmers 7000 Series Tractors



1. Remove the original seat, suspension, and slides. Also, remove the angle bracket from the cab deck.
You must get down to the bare angled cab deck.
2. Attach the PED AC 73 by using two of the existing holes in the lower cab panel. Fasten with two 5/16" x 1" bolts and lock washers.
3. Drill two new holes into the vertical deck plate to correspond with the bottom holes in the pedestal support frame. Fasten with two 5/16" x 3/4" bolts and flange nuts.
4. Bolt the suspension assembly to the pedestal with four 5/16" x 3/4" bolts and flange nuts.
5. Bolt the seat and swivel assembly to the suspension assembly using spacers and M8 bolts and nuts provided in the bolt bag. (Mechanical suspensions will not use nuts.)
6. If installing an Air Suspension locate the power cable coming from the lower part of the suspension and connect to 12v power source from the tractor.

PED AC 73
PN: 6019



Cut away of
tractor deck and
lower cab panel

