

# Big Dog/Hustler

## Mower Seat & Mechanical Suspension



Cut & Sew  
Black/Silver Vinyl  
PN: 8645



**Mechanical lumbar support** provides extra back support

**100 - 375 lb weight adjustment** with visual indicator

**Slide rails** provide fore/aft adjustment ensuring operator comfort

**Adjustable fold-up armrests** for custom fit comfort

**Retractable seat belt** with switch for added safety

**Adjustable backrest** in increments of 2.5° adds comfort and versatility

- **Grammer MSG65/531 Seat**
- Durable cut & sew black/silver vinyl covering with yellow piping
- Low-profile mechanical suspension with travel of 2.36"
- Vacuum formed narrow seat cushion of 18.5" with asymmetrical backrest shape to make driving backwards more comfortable
- Fore/aft isolator absorbs jarring for extra comfort
- Comes standard with operator presence switch
- Includes adapter cable for direct fit

See **REVERSE** for applications, drawings and options.



[TRACTORSSEATS.com](http://TRACTORSSEATS.com) [TURFSSEATS.com](http://TURFSSEATS.com)

**800-328-1752**

308 NW 2nd Street • Renville, MN 56284



## APPLICATIONS



Lawn Mowers

### Fits - Big Dog® Zero-Turn Lawn Mowers:

Diablo, Diablo MP

### Hustler® Zero-Turn Lawn Mowers:

Super Z, Super Z Diesel, Super Z HyperDrive

*(Replaces Grammer Number 1438635)*

## OPTIONS

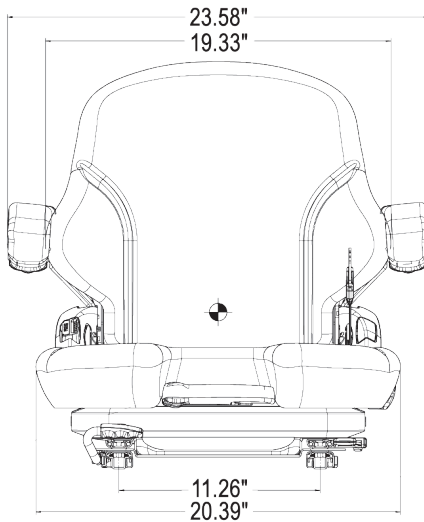
- 8450 Document Pouch
- 7918 Isolator Kit
- 8065 Seat/Backrest Cover Kit  
(Alcantara Two-Tone Gray Fabric)
- 8066 Backrest Extension Cover Kit  
(Alcantara Two-Tone Gray Fabric)

## MAINTENANCE ITEMS

Only fit the  
K&M seat assembly.

- 7885 Replacement LH Armrest
- 7884 Replacement RH Armrest
- 7887 Replacement Retractable Seat Belt Kit
- 8370 Replacement Seat Belt Cover Kit
- 8466 Replacement Backrest Kit
- 8399 Replacement Backrest Adjust. Handle Kit
- 8672 Replacement Operator Presence Switch
- 8088 Replacement Weight Adjust Handle Kit
- 8593 Replacement Weight Adjust Handle & Block
- 8674 Replacement Wire Harness

FRONT VIEW



SIDE VIEW

