

JD Combine Seat & Air Suspension (AH227974-AXE48239)



Brown Fabric
PN: 8570

UNIQUE DROP IN
A duplicate of the OEM seat from John Deere®, has same functionality & features as OEM, like control arm console brackets.



Retractable seat belt for added safety

Plush and spacious contoured foam cushions for operator comfort

Adjustable fold-up left-hand armrest allows easy access to the seat and individual comfort (Right-hand command arm bracket)

When seated, seat depth adjustment (right) and cushion angle adjustment (left) for individual fit

Tapered back support and adjustable backrest adds comfort and versatility

Adjustable slide rails with 5.9" of travel and variable rails stop catch

Air adjustment switch for individual fit and comfort

Durable suspension cover keeps suspension components free of dirt and dust

Fore/aft isolator absorbs jarring for extra comfort (Isolator can also be disabled.)

- **Grammer MSG95G/742 Seat**
- Air suspension for smoother, more comfortable ride
- Replaces original suspension seat
- Self-contained 12-volt compressor is wired to the tractor's electrical system to provide power to the suspension compressor
- Adjustable mechanical lumbar support with multiple settings to help prevent lower back pain
- Suspension stroke up to 7"
- 100 - 285 lb weight adjustment with weight indicator
- Up to 3.1" height adjustment
- Comes standard with operator presence switch



See **REVERSE** for applications drawings and options.



TRACTORSSEATS.com

800-328-1752

308 NW 2nd Street • Renville, MN 56284



APPLICATIONS



Combines

Fits - John Deere® Combines, Cotton Pickers, Cotton Strippers, Forage Harvesters, Sugar Cane Harvesters and Windrowers:

(Replaces John Deere® Numbers AH227974, AXE48239)

STS Series Combines: 9570STS, 9670STS, 9770STS, 9870STS

Cotton Pickers: 9986, 9996, 7760, 7660, CP690

Cotton Strippers: 7460 (with 748 Header), CS690

Self-Propelled Forage Harvesters: 7200, 7300, 7400, 7500, 7700, 7800, 7950, 7250, 7350, 7450, 7550, 7180, 7280, 7380, 7480, 7580, 7780, 7980

Sugar Cane Harvesters: 3510, 3520

Windrowers: 4895, 4995, A400, D450, R450

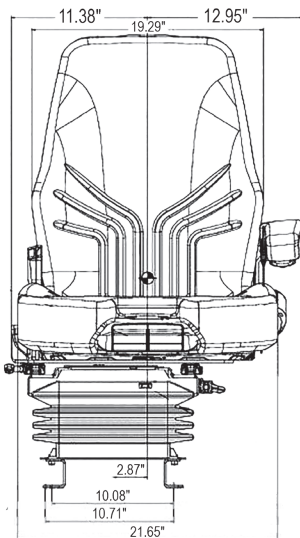
OPTIONS

- 8454 Backrest Extension
- 8573 Backrest Extension Install Kit
- 5007 Swivel Kit
- 8400 MSG85/95 Lateral Isolator Kit
*Will only work if a Grammer 700 Series seat top is being used

MAINTENANCE ITEMS

- 7996 Replacement Retractable Seat Belt Kit
- 7966 Replacement LH Armrest - Adjustable
- 7967 Replacement RH Armrest - Adjustable
- 8244 Replacement Backrest Cushion
- 8158 Replacement Backrest Adjust Handle
- 8448 Replacement Backrest Adjust Handle Kit
- 8372 Replacement Seat Belt Cover Kit
- 8594 Replacement Seat Depth/Tilt Kit
- 7961 Replacement Operator Presence Switch
- 6048 Replacement Slide Rail Kit
- 7993 Replacement Air Compressor
- 8020 Replacement Airbag Kit
- 8237 Replacement Air Hose Kit
- 8572 Replacement Fore/Aft Isolator Handle
- 8210 Replacement Fore/Aft Isolator Kit
- 8513 Replacement Fore/Aft Isolator Lock Kit
- 8294 Replacement Shock Kit
- 8023 Replacement Suspension Switch
- 8716 Replacement Wear Parts Kit
- 8131 Replacement Swing Arm Kit

FRONT VIEW



SIDE VIEW

