

KM 122

Uni Pro™ Seat Assembly



Black Vinyl
PN: 7989

ECONOMY
VERSION AVAILABLE
Ask for details.

Cut and sew vinyl means a more rugged, comfortable cover

Contoured foam cushions for added comfort

Full depth foam construction

14 Gauge steel frame with black powder coat finish

Slide rails provide 6" fore/aft slide rail adjustment ensuring operator comfort

See **REVERSE** for applications, drawings and options.

- Plastic inner liner
- Seat belt fixation points
- Multiple mounting patterns for multiple uses

TRACTORSEATS.com TURFSEATS.com



800-328-1752

308 NW 2nd Street • Renville, MN 56284



APPLICATIONS



Light Construction



Forklifts

Forklift, Skid Steer and Telehandler Equipment

Mounting Patterns Include (W x L) 4", 8", 9.5", 10.75" or 11.25" x 11"

Broderson® Cranes: IC-35-2F, IC-80-1E, IC-80-3F, IC-80-3G, IC-200-3F, IC-200-3H, IC-250-3D

Eagle Picher® Forklift: R50

Ingersoll Rand® Telehandler: VR642

Lull® Telehandler: 644TT-34

Terramite® Backhoe Loader: T5C

OPTIONS

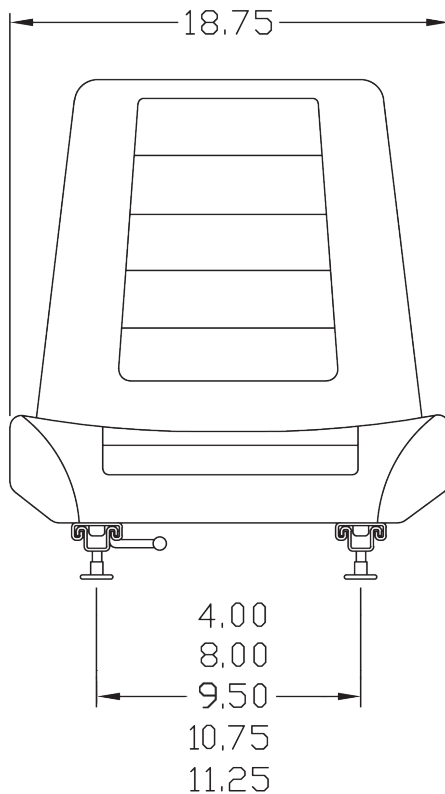
7911 Lap Belt

7925 45.5" Retractable Seat Belt

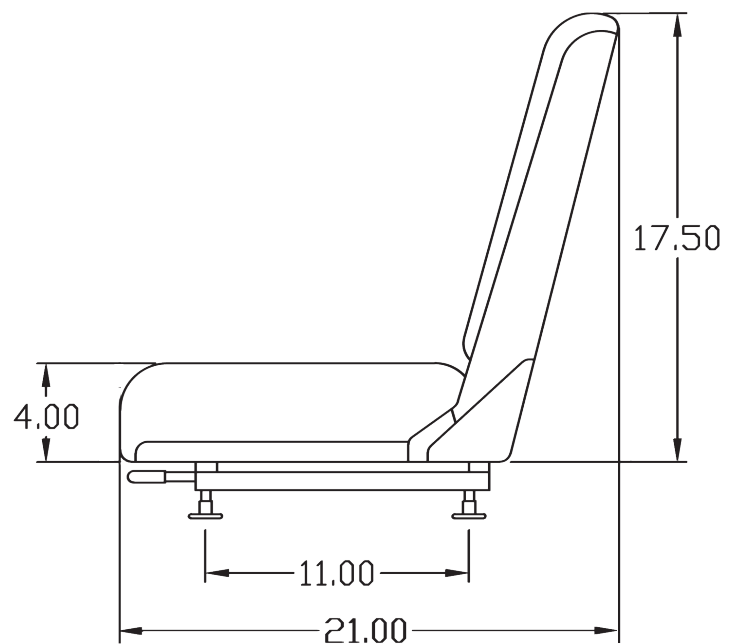
8443 47" Retractable Seat Belt with Switch

8590 51.5" Orange Retractable Seat Belt

FRONT VIEW



SIDE VIEW



KM 122