

JD Early 6R Series

Seat & Air Suspension Kit



GRAMMER



Brown Fabric
PN: 6984

NEW PLUG & PLAY SEAT KIT
Complete plug and play wiring for easy install.

See **REVERSE** for applications drawings and options.



Adjustable backrest extension for extra height on back

Tapered back support and adjustable backrest adds comfort and versatility

Adjustable mechanical lumbar supports your lower back with multiple settings and provides extra back support (lever on backrest)

Cut and sew cushions for operator comfort

Adjustable slide rails with 4" of travel

Fore/aft isolator absorbs jarring for extra comfort (Isolator can also be disabled.)

Adjustable fold-up armrests allow easy access to the seat and individual comfort

When seated, **seat depth adjustment (right) and cushion angle adjustment (left)** for individual fit

Air adjustment switch

Durable suspension cover keeps suspension components free of dirt and dust

- Replacement kit for original seat
- **Grammer MSG95/741 Seat**
- Air suspension for smoother, more comfortable ride
- Replaces original suspension seat
- Self-contained 12-volt compressor is wired to the tractor's electrical system to provide power to the suspension compressor
- Suspension stroke of 3.94"
- Shock absorber adjusts for different settings
- 8.25" fore/aft suspension travel
- 3" height adjustment
- Operator presence switch

PN: 6984 Includes: KM 1061 Uni Pro™ Seat & Suspension, JD Command Arm Bracket, Swivel, Pedestal, Wiring Harness, Install Hardware & Installation Instructions

TRACTORSSEATS.com



800-328-1752

308 NW 2nd Street • Renville, MN 56284



APPLICATIONS



Tractors

Fits - John Deere® 6R Early Series Tractors with Command Arm: 6105R, 6115R, 6125R, 6140R, 6150R, 6170R, 6190R, 6210R

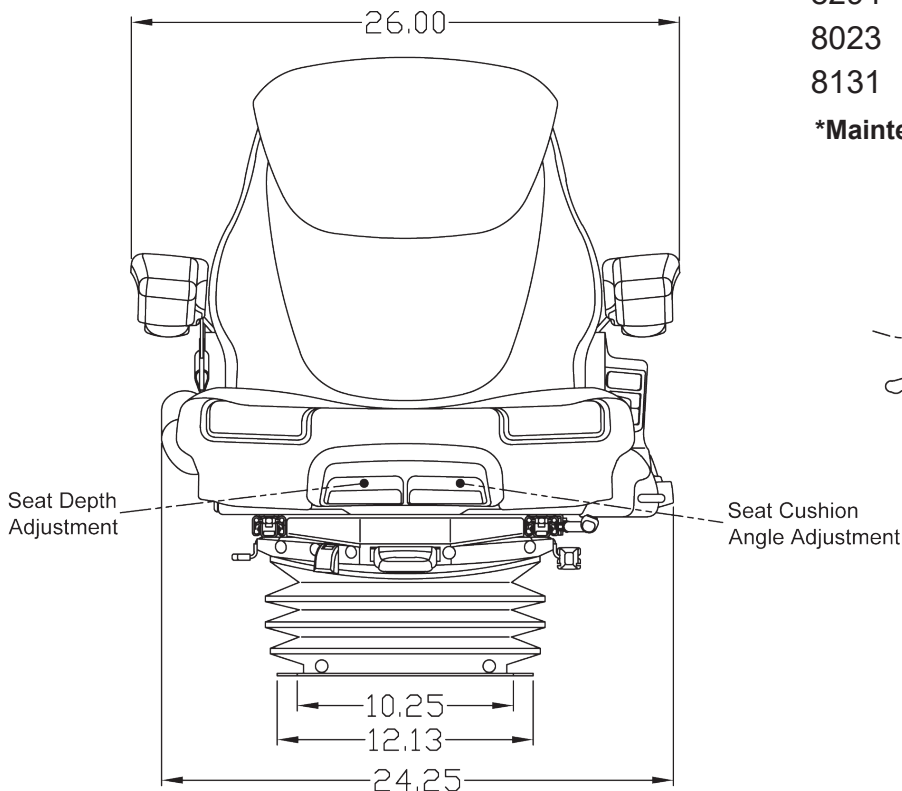
***Note: This seat kit is for John Deere® Early 6R Series Tractors with Command Arm only.**

If you have a John Deere® Late 6R Series Tractor with Command Arm, order PN: 6985 instead. If you have a John Deere® 6R Series Tractor without Command Arms, order PN: 8585 (Mechanical Suspension Seat) or PN: 8586 (Air Suspension Seat) instead.

OPTIONS

- 7996 Retractable Seat Belt
- 8400 MSG85/95 Lateral Isolator Kit
*Will only work if a Grammer 700 Series seat top is being used

FRONT VIEW



MAINTENANCE ITEMS

- 8678 Replacement Backrest Extension
- 8573 Replacement Backrest Extension Install Kit
- 7966 Replacement LH Armrest - Adjustable
- 7967 Replacement RH Armrest - Adjustable
- 8538 Replacement LH Armrest - Non-Adjustable
- 8539 Replacement RH Armrest - Non-Adjustable
- 8372 Replacement Seat Belt Cover Kit
- 8594 Replacement Seat Depth/Tilt Kit
- 5007 Replacement Swivel Kit
- 6048 Replacement Slide Rail Kit
- 8158 Replacement Backrest Adjust Handle Kit
- 8448 Replacement LH or RH Backrest Adjust Handle Kit
- 7961 Replacement Operator Presence Switch
- 7993 Replacement 12-Volt Air Compressor
- 8020 Replacement Airbag Kit
- 8237 Replacement Air Hose Kit
- 8572 Replacement Fore/Aft Isolator Handle
- 8210 Replacement Fore/Aft Isolator Kit
- 8513 Replacement Fore/Aft Isolator Lock Kit
- 8294 Replacement Shock Kit
- 8023 Replacement Suspension Switch
- 8131 Replacement Swing Arm Kit

***Maintenance Items only fit the K&M seat assembly.**

SIDE VIEW

