

JD Monitor Bracket

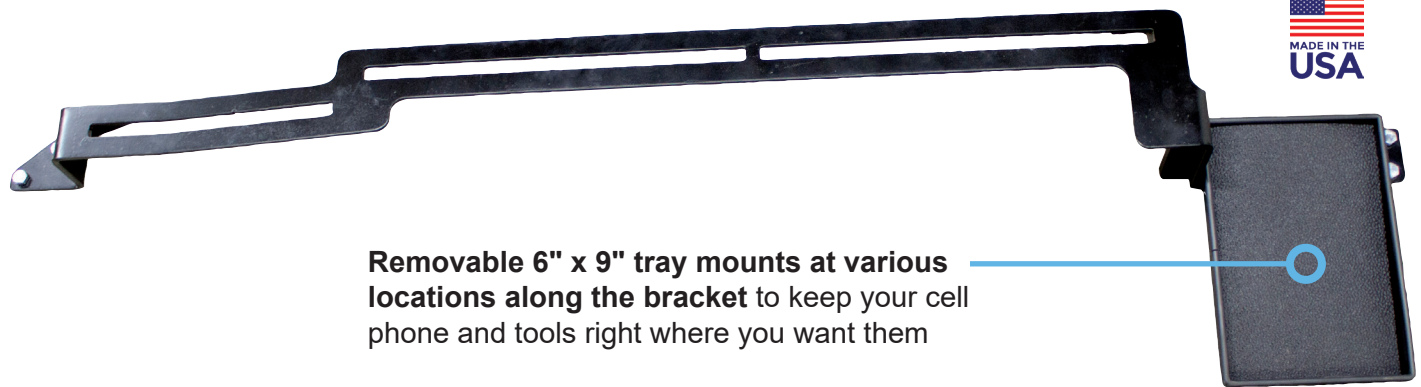
For Sound-Gard™ Series



Black
PN: 3189

CONVENIENCE CLOSE AT HAND

The newly designed monitor bracket has a sleek contoured design that will fit your cab perfectly.



Removable 6" x 9" tray mounts at various locations along the bracket to keep your cell phone and tools right where you want them

RAM Mount Diamond Base (Optional)



- Well-suited for use with multiple monitors
- Less restriction of operator's view, improving safety
- Attaches quickly and easily
- Allows for the use of normal bolts to mount monitors or optional RAM type mounts available (monitor mounting hardware not included)
- Assembly hardware, 6" x 9" tray and tray pad included
- Additional 6" x 9" or 9" x 9" monitor bracket trays available

See **REVERSE** for applications and options.



TRACTORSFATS.com

800-328-1752

308 NW 2nd Street • Renville, MN 56284



APPLICATIONS



Tractors

Fits - John Deere® Tractors with Sound-Gard™ Cabs

30 Series: 4030, 4230, 4430, 4630

30-40 4WD Series: 8430, 8440, 8630, 8640

40 Series: 4040, 4240, 4440, 4640, 4840

50 Series: 4050, 4250, 4450, 4650, 4850

50 4WD Series: 8450, 8650, 8850

55 Series: 4055, 4255, 4455, 4555, 4755, 4955

60 Series: 4560, 4760, 4960

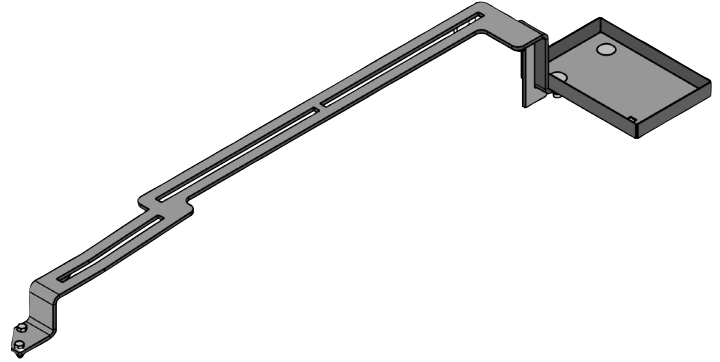
OPTIONS

3176 6" x 9" Monitor Bracket Tray and Pad

3177 9" x 9" Monitor Bracket Tray and Pad

2661 RAM Mount Diamond Base 1" Ball

DRAWING



FRONT MOUNTING



BACK MOUNTING

