

# Kubota BX1800-BX2600

## Uni Pro™ Seat Kits



### CHOOSE FROM

●  
Black Vinyl  
**PN: 6826**

OR

●  
Black Vinyl  
w/ Mech. Susp.  
**PN: 6825**

OR

●  
Black Vinyl  
w/ Air Susp.  
**PN: 6851**

**PN: 6851**



**Air suspension**  
with 3.1"  
suspension  
travel

**PN: 6825**

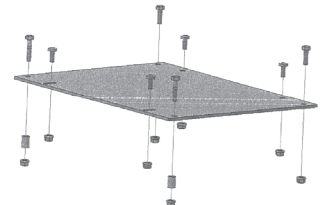


**Mechanical lumbar support** provides extra back support

**Adjustable backrest** adds comfort and versatility

**Mechanical suspension** with 2.38" suspension travel

**PN: 6825 & 6851 Seat Bracket & Bolts**

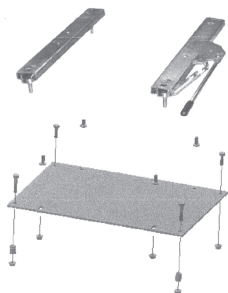


**100 - 375 lb weight adjustments** with visual indicator

**Slide rails provide 8.3" fore/aft adjustment** ensuring operator comfort

**Vacuum formed waterproof vinyl cover** adds comfort and durability

**PN: 6826 Seat Bracket, Slide Rails & Bolts**



**PN: 6826**



**Ergonomical cushion**

**Drain hole** prevents water build-up

**Durable blow molded plastic frame** is corrosion resistant

**PN: 6825 Includes:** KM 136 Uni Pro™ Seat & Mechanical Suspension, Seat Bracket, Operator Presence Switch Harness & Bolt Bag

**PN: 6826 Includes:** KM 125 Uni Pro™ Bucket Seat, Seat Bracket, Slide Rail Kit, Operator Presence Switch & Bolt Bag

**PN: 6851 Includes:** KM 136 Uni Pro™ Seat & Air Suspension, Seat Bracket, Operator Presence Switch Harness & Bolt Bag

See **REVERSE** for applications, drawings and options.

**TRACTORSSEATS.com** **TURFSEATS.com**

**800-328-1752**

308 NW 2nd Street • Renville, MN 56284



## APPLICATIONS



Tractors

Fits - Kubota® BX1800-BX2600 Series Compact Tractors

*(Replaces Kubota® Number K2771-56110)*

**BX1800 Series:** BX1870, BX1870-1;

**BX2300 Series:** BX2370, BX2370-1, BX2380;

**BX2600 Series:** BX2670, BX2670-1, BX2680

## OPTIONS/MAINTENANCE (PN: 6826)

|       |   |
|-------|---|
| 7947  | KM 125 Armrest Kit  |
| 7911* | Lap Belt  |
| 7925* | 45.5" Retractable Seat Belt                                       |
| *6002 | Seat Belt Bracket<br><b>(Necessary with PNs: 7911 &amp; 7925)</b> |
| 8443  | 47" Retractable Seat Belt with Switch                             |
| 8590  | 51.5" Orange Retractable Seat Belt                                |
| 6043  | Replacement Slide Rail Kit  |
| 8666  | Replacement Operator Presence Switch<br>(Normally Open)           |
| 8667  | Replacement Operator Presence Switch<br>(Normally Closed)         |
| 8671  | Replacement 4-Prong Operator<br>Presence Switch (Normally Closed) |

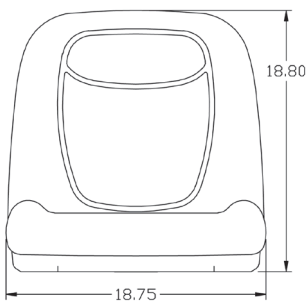
## OPTIONS & MAIN. (PNs: 6825 & 6851)

|        |   |
|--------|---|
| 7885   | LH Armrest                                  |
| 7884   | RH Armrest                                  |
| 8015   | Headrest                                    |
| 8450   | Document Pouch                              |
| 7918   | Isolator Kit                                |
| 8151   | Replacement Back Cushion (Black Vinyl)      |
| 8152   | Replacement Seat Cushion (Black Vinyl)      |
| 8172   | Replacement Back Cushion (Black Fabric)     |
| 8173   | Replacement Seat Cushion (Black Fabric)     |
| 7887   | Replacement Retractable Seat Belt           |
| 8370   | Replacement MSG65/75 Seat Belt Cover Kit    |
| 8672   | Replacement Operator Presence Switch        |
| 8088** | Replacement Weight Adjust Handle Kit        |
| 8593** | Replacement Weight Adjust Handle & Block    |
| 8399   | Replacement Backrest Adjust Handle Kit      |
| 8516*  | Replacement Weight Indicator Kit            |
| 8278*  | Replacement MSG75 12-Volt<br>Compressor Kit |
| 8514*  | Replacement MSG75 Shock Absorber Kit        |
| 8315*  | Replacement Airbag Kit                      |
| 8471*  | Replacement Air Hose                        |
| 8318*  | Replacement Switch Kit                      |

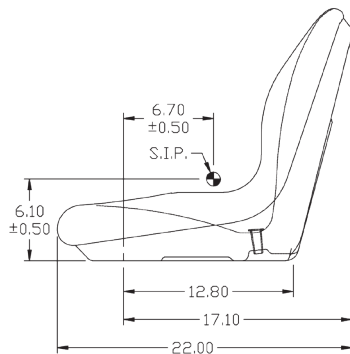
\*Replacement for air suspension seat only.

\*\*Replacement for mechanical suspension seat only.

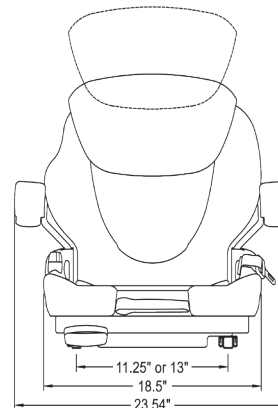
FRONT VIEW  
PN: 6826



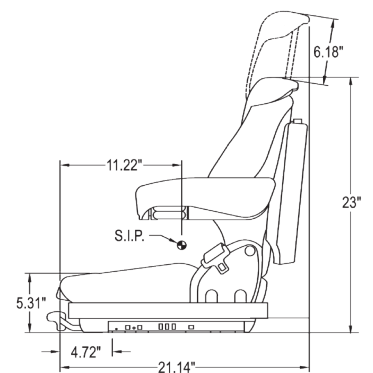
SIDE VIEW  
PN: 6826



FRONT VIEW  
PNs: 6825 & 6851



SIDE VIEW  
PNs: 6825 & 6851



\*Drawings show optional headrest and armrests.