

# KM 1251

## Uni Pro™ Seat & Suspension



Black/Gray  
Matrix Fabric  
PN: 8410



**Plush, spacious cushions** with seat depth and cushion angle adjustment

**Heated seat** to make colder environments more endurable

**When seated, seat depth adjustment (right) and cushion angle adjustment (left)** for individual fit

**110 - 330 lb weight adjustment**

**Pneumatic lumbar support** ensuring operator comfort

**Adjustable backrest angle of -10° to 34°** adds comfort and versatility

**Slide rails provide fore/aft adjustment**



- **Grammer MSG97AL/722 Seat**
- Low-frequency 24-Volt air suspension to reduce the impact of extreme shocks to the body
- Seat cushion width of 18.9"
- Automatic Positioning System
- Fore/aft isolator and adjustable shock absorber
- 3.9" suspension stroke
- 3" height adjustment
- Durable rubber molded suspension cover protects suspension

See **REVERSE** for applications, drawings, and options.



[TRACTORSSEATS.com](http://TRACTORSSEATS.com) [CONSTRUCTIONSEATS.com](http://CONSTRUCTIONSEATS.com)

**800-328-1752**

308 NW 2nd Street • Renville, MN 56284



## APPLICATIONS



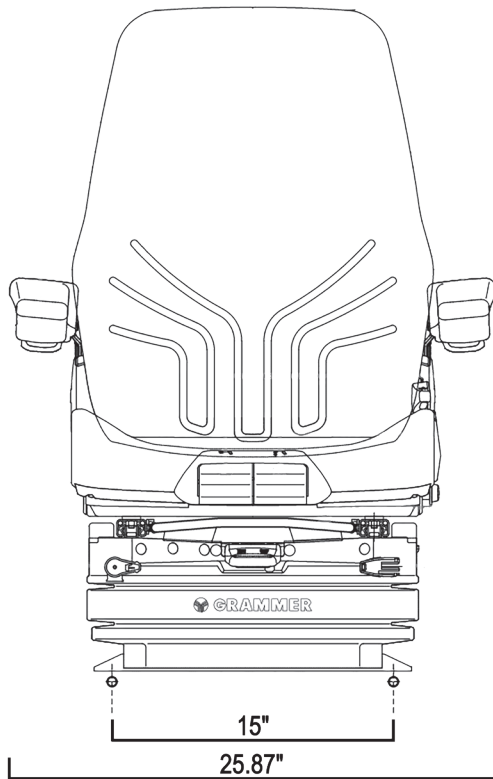
## OPTIONS

- 7966 LH Armrest
- 7967 RH Armrest
- 7996 Retractable Seat Belt

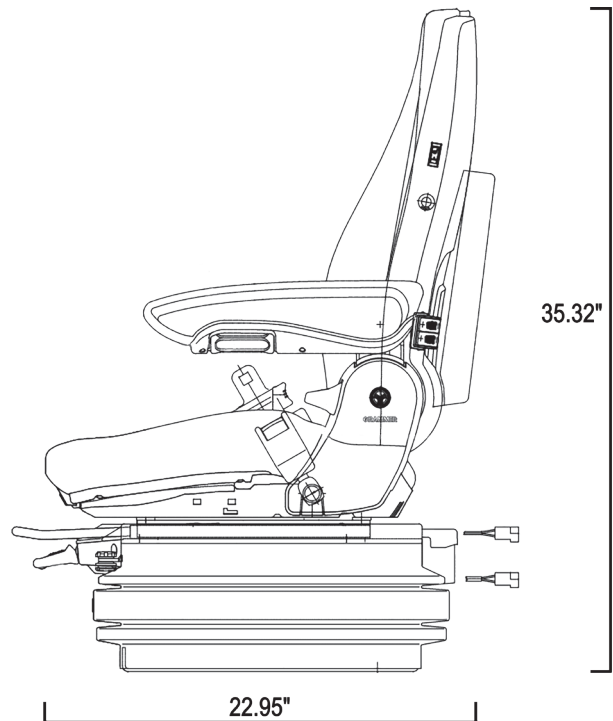
## MAINTENANCE ITEMS

- 8158 Replacement Backrest Adjust Handle Kit
- 8448 Replacement LH or RH Backrest Adjust Handle Kit
- 8372 Replacement Seat Belt Cover Kit
- 8594 Replacement Seat Depth/Tilt Kit

FRONT VIEW



SIDE VIEW



\*Drawings shown with optional armrests and seat belt.