





Case 580 Series

Backhoe Seat



CHOOSE FROM

- | | | | |
|--|--|--|---|
|  OR |  OR |  OR |  |
| Black Fabric
PN: 6835 | Black Vinyl
PN: 6836 | Gray Vinyl
PN: 6837 | Black Vinyl
w/out Arms
PN: 6840 |



Armrests fold up and out of the way allowing easy access to the seat and individual comfort

Fold-down and adjustable backrest adds comfort and versatility

Black Cordura fabric is water-resistant

Wide base provides stability

Durable document pouch stores owner's manual and other valuables

3-position lumbar supports lower back

Adjustable slide rails from 6.75" - 13" side-to-side for universal fit

2" non-adjustable tethers for added safety

Rubber molded suspension cover keeps suspension free of dirt and dust

See **REVERSE** for applications, drawings and options.

- Heavy-duty mechanical suspension
- Easy to operate controls
- 4" suspension travel
- 8" maximum height
- Swivels 360° in 10° increments
- Assembly required



APPLICATIONS



Backhoes

Fits - Case® Backhoe Loaders 480C, 480D, 480E, 480F, 480LL, 570LXT, 580C, 580D, 580K, 580L, 580M, 580 Super D, 580 Super K, 580 Super L, 580 Super M, 590 Super L, 590 Super M, 590 Turbo, 680H, 780B

Black Fabric
PN: 6835

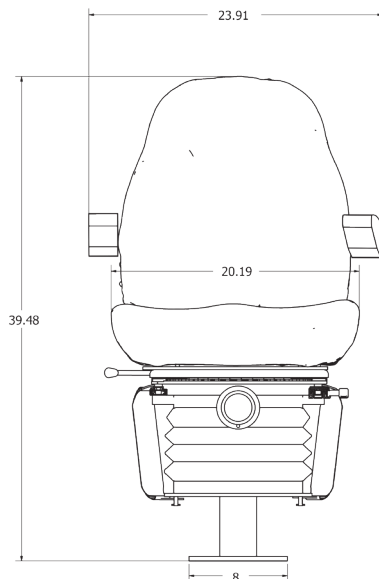
Black Vinyl
PN: 6836

Gray Vinyl
PN: 6837

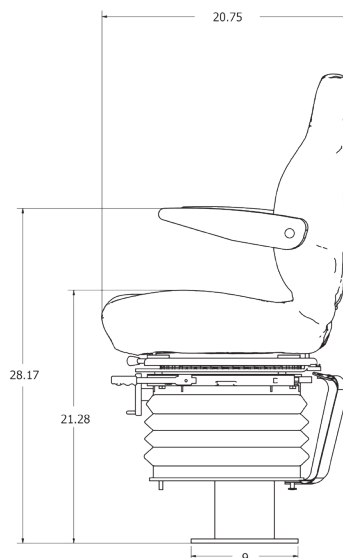
Black Vinyl
w/out Arms
PN: 6840



FRONT VIEW



SIDE VIEW



OPTIONS & MAINTENANCE ITEMS

- 7911* Seat Belt Kit
- *6002 Seat Belt Bracket Kit
(Necessary with PN: 7911)
- 8665 Operator Presence Switch
(Normally Open)
- 8025 Replacement Armrest Kit
- 8453 Replacement Adjustable Slide Rail Kit