

KM 500

Uni Pro™ Seat & Suspension



CHOOSE FROM



Black Vinyl
PN: 7912

OR



Multi-Gray
Fabric
PN: 8395



PN: 7912

KAB//Seating

PN: 8395



Adjustable headrest

Adjustable backrest adds comfort and versatility

5-position lumbar support to help prevent lower back pain

Suspension tilt adjustment

Durable rubber molded suspension cover keeps suspension components free of dirt and dust

Cut and sew vinyl means a more rugged, comfortable cover

2.4" height adjustment

Weight adjustment

Slide rails provide 7.9" fore/aft adjustment ensuring operator comfort

See **REVERSE** for applications, drawings and options.

- **KAB 515 Seat**
- Complete seat & mechanical suspension
- 4" suspension stroke
- 2 spring suspension
- Document pouch
- 110 - 265 lb weight adjustment
- Meets ISO 7096 vibration rating
- Meets EM1, EM3, EM4, EM5, EM6 and EM8 specifications

TRACTORSEATS.com CONSTRUCTIONSEATS.com

800-328-1752

308 NW 2nd Street • Renville, MN 56284



APPLICATIONS



Tractors



Construction

OPTIONS

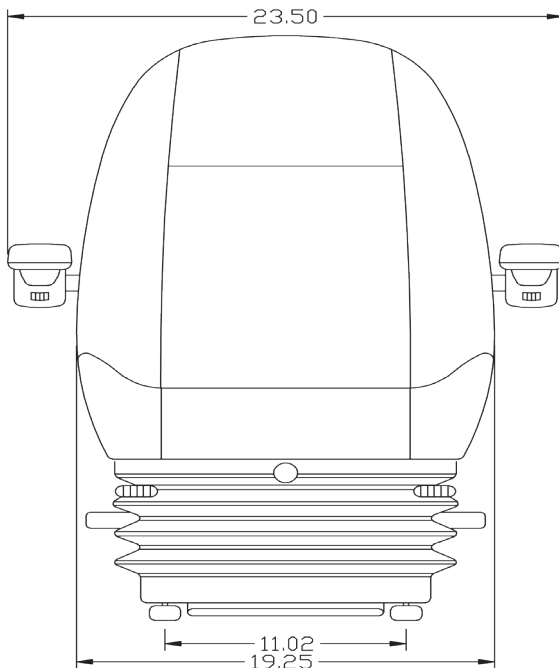
- 8144 Armrest Kit
- 7955 Retractable Seat Belt

MAINTENANCE ITEMS

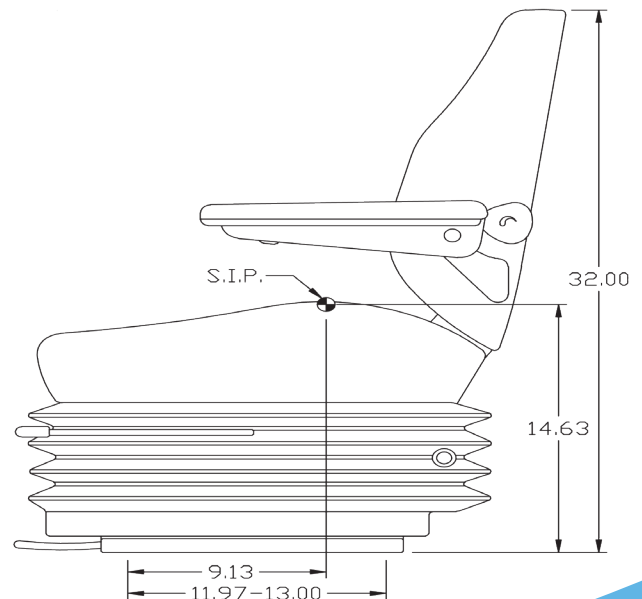
- 8445 Replacement Headrest (Black Vinyl)
- 8446 Replacement Headrest (Multi-Gray Fabric)
- 8415 Replacement Headrest Install Kit
- 8302 Replacement Backrest Cushion Kit (Black Vinyl)
- 8484* Replacement Backrest Cover Kit (Multi-Gray Fabric)
- *8485 Replacement Backrest Foam Kit (Necessary with PN 8484)
- 8301 Replacement Seat Cushion Kit (Black Vinyl)
- 8486** Replacement Seat Cover Kit (Multi-Gray Fabric)
- **8487 Replacement Seat Foam Kit (Necessary with PN 8486)

*Replacement backrest cover and foam kits are hog-ringed to the original metal frame.

FRONT VIEW



SIDE VIEW



*Drawings shown without standard headrest.