





KM 441

Uni Pro™ Seat Assembly



CHOOSE FROM

	OR		OR		OR	
Black Vinyl PN: 8021		Yellow Vinyl w/ Arms PN: 8209		Gray Vinyl w/ Arms PN: 8384		Black Vinyl w/ Arms PN: 8390



PN: 8021



PN: 8209



PN: 8384



PN: 8390

Durable document pouch stores owner's manual and other valuables

3-position lumbar supports lower back

Armrests fold up and out of the way allowing easy access to the seat and individual comfort
(standard on PNs: 8390, 8384 & 8209; optional on PN: 8021)

Fold-down and adjustable backrest adds comfort and versatility

Cut and sew vinyl means a more rugged, comfortable cover

Adjustable slide rails from 6.5" - 13" side-to-side for universal fit

See **REVERSE** for applications, drawings and options.

- Accepts flange bolt mount operator presence switch for added safety



APPLICATIONS



**Note: Will not fit if original seat was a Grammer DS44 or if original seat has an integrated swivel.*

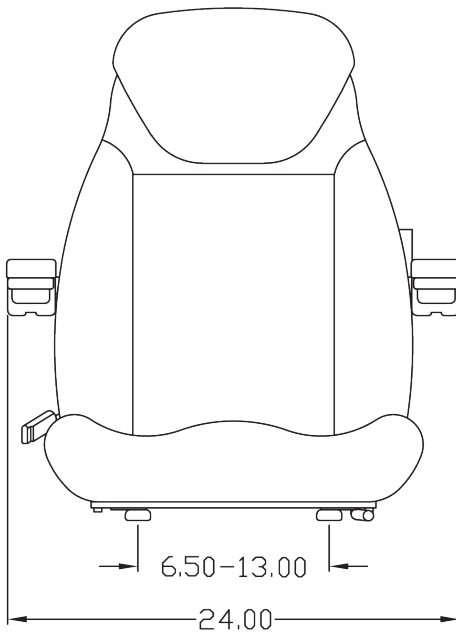
OPTIONS

- 7911* Lap Belt
- *6002 Seat Belt Bracket
(Necessary with PN: 7911)
- 8665 Operator Presence Switch (Normally Open)

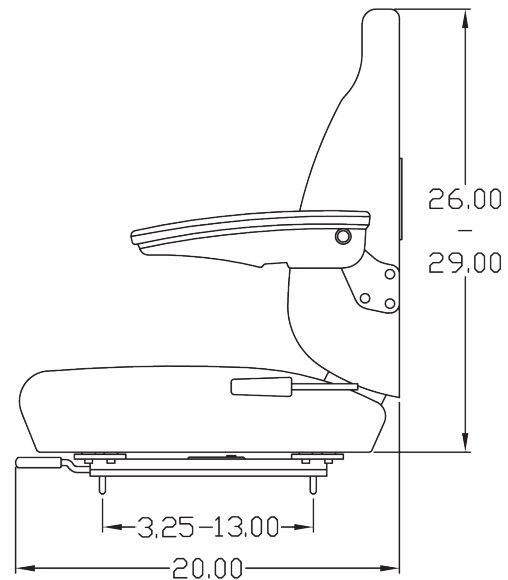
MAINTENANCE ITEMS

- 8025 Replacement Armrest Kit
(Option for PN: 8021)
- 8453 Replacement Adjustable Slide Rails

FRONT VIEW



SIDE VIEW



**Drawings shown with standard armrests (PN: 8390, 8384 & 8209) or optional armrests (PN: 8021).*