

# KM 439

Uni Pro™ Seat & Suspension



Black Vinyl  
PN: 8391

seats®



Cut and sew vinyl means a more rugged, comfortable cover

Versatile 4" single locking slide rails with 3" for travel allow easy movement for operators of almost any size

Manual weight adjustment with maximum allowable weight of 280 lbs.

Bellows suspension cover keeps components free of dirt and dust

- Integrated compact mechanical suspension
- Elastomeric vibration control (EVC) for additional cushion comfort
- Adjustable mechanical lumbar
- ICP for seat belt attachment
- 3" suspension motion
- Accepts Delta Plunger cushion occupancy switch

See **REVERSE** for applications, drawings and options.



TRACTORSSEATS.com CONSTRUCTIONSEATS.com TURFSEATS.com

800-328-1752

308 NW 2nd Street • Renville, MN 56284



## APPLICATIONS



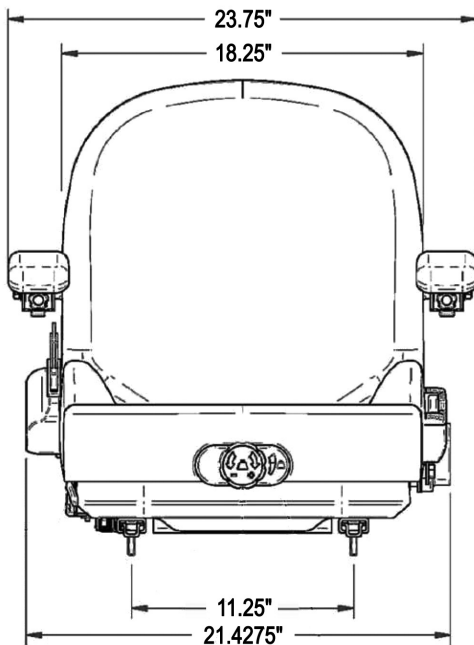
## OPTIONS

- 8383    Armrest Kit
- 7911    Lap Belt
- 7925    45.5" Retractable Seat Belt
- 8443    47" Retractable Seat Belt with Switch
- 8590    51.5" Orange Retractable Seat Belt
- 8669    Operator Presence Switch (Normally Open)
- 8670    Operator Presence Switch (Normally Closed)

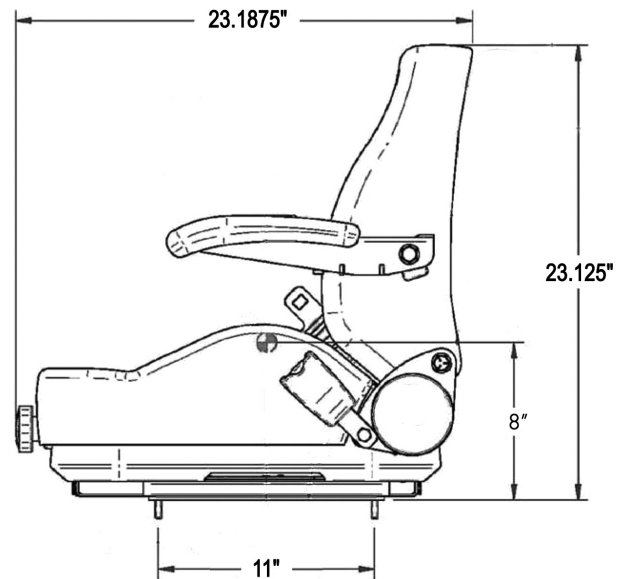
## MAINTENANCE ITEMS

- 8632    Replacement Weight Adjustment Knob

FRONT VIEW



SIDE VIEW



*\*Drawings shown with optional armrests and seat belt.*