

KM 435

Uni Pro™ Seat & Suspension



CHOOSE FROM



Black Vinyl
PN: 7810

OR



Charcoal Gray Fabric
PN: 7823

SEARS
SEATING

Contoured foam cushions for added comfort

Heavy-duty slide rails provide fore/aft adjustment ensuring operator comfort

Weight indicator

Weight adjustment

3" height adjust: lever actuated, spring assisted

Lumbar support for lower back comfort

Adjustable padded armrests fold up and out of the way allowing easy access to the seat and individual comfort

Adjustable backrest angle adds comfort and versatility

Durable rubber molded suspension cover keeps suspension free of dirt and dust

See **REVERSE** for applications, drawings and options.

- Deluxe mechanical suspension with 3.75" suspension stroke
- 2" internal height adjustment
- Internal tethers

TRACTORSEATS.com CONSTRUCTIONSEATS.com

800-328-1752

308 NW 2nd Street • Renville, MN 56284



APPLICATIONS



Also Fits - Graders, Mining Equipment, Wheel Loaders

OPTIONS

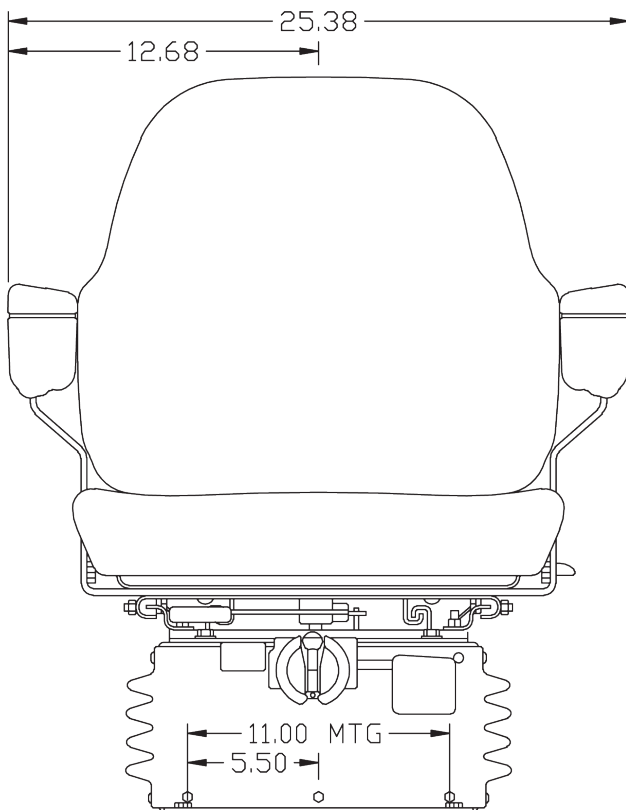
- 7977 2" Retractable Seat Belt
- 8417 3" Retractable Seat Belt

MAINTENANCE ITEMS

- 8162* Replacement Seat Cushion (Black Vinyl)
- 8163* Replacement Back Cushion (Black Vinyl)

*Replacement cushions only fit the K&M assembly.

FRONT VIEW



SIDE VIEW

