

KM 350

Uni Pro™ Seat & Suspension



Gray/Black
Vinyl
PN: 8676

milsco®

Contoured foam cushions to ensure operator comfort

Retractable seat belt with switch for added safety

6.3" fore/aft adjustment in increments of 0.39"

Mechanical suspension with 5.91" stroke and weight adjustment knob

Cut and sew cushions for operator comfort

Adjustable fold-up armrests

Adjustable backrest 10° forward and 25° back adds comfort and versatility

Durable rubber molded suspension cover keeps components free of dirt and dust

See **REVERSE** for applications and drawings

- **Milsco VersaPremium™ Seat**
- 27.56" high-back seat and seat width is 18.9"
- Adjustable lumbar support to help prevent lower back pain
- Comes standard with operator presence switch

TRACTORSSEATS.com **CONSTRUCTIONSEATS.com**

800-328-1752

308 NW 2nd Street • Renville, MN 56284

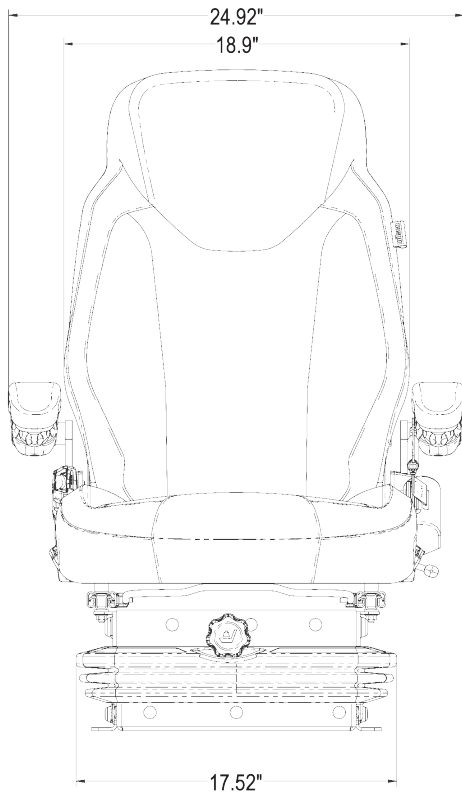


APPLICATIONS



Fits - Case® G Series Wheel Loaders:
(Replaces Case® Part Number: 47500540, 47581688, 47629403, 48017532, 48134602)
G Series: 521G, 621G, 721G, 821G, 921G, 1021G, 1121G

FRONT VIEW



SIDE VIEW

