

KM 183

Uni Pro Assembly

Black Vinyl
PN: 8003

WISE
INDUSTRIAL SEATING

Vacuum formed waterproof vinyl adds comfort and durability

Hip restraints keep operator in seat



Metal pan seat and backrest

Adjustable lumbar supports your lower back with multiple settings

90° – 120° adjustable backrest adds comfort and versatility

Seat belt fixation points

Slide rails provide fore/aft adjustment ensuring operator comfort

See **REVERSE** for applications.

- Durable document pouch stores owner's manual and other valuables
- Multiple mounting patterns for multiple uses
- 19" x 18.5" (W x D) seat dimension

K&M
Manufacturing

308 NW 2nd Street
Renville, MN 56284

TRACTORSEATS.com

CONSTRUCTIONSEATS.com

800-328-1752

APPLICATIONS

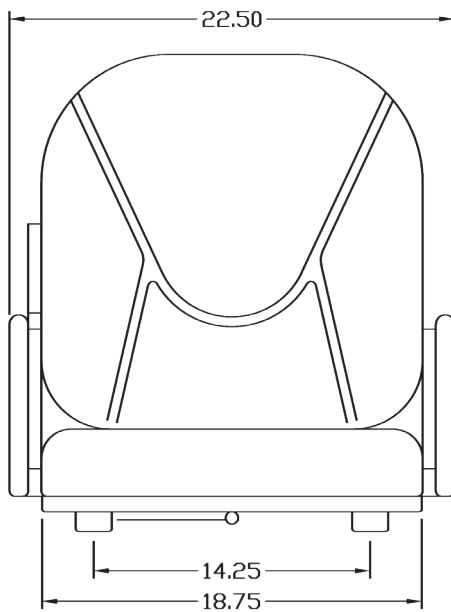


Forklifts

OPTIONS

- 7911 Lap Belt
- 7897 Retractable Seat Belt
- 8004 Operator Presence Switch

FRONT VIEW



SIDE VIEW

