

KM 1820

Uni Pro™ Seat & Suspension



Black Vinyl
PN: 8319



CUSHIONS AVAILABLE

- Steel core
- Original mounting patterns
- Frame not available

PN: 8197

PN: 8196



Vacuum formed vinyl cover adds comfort and durability

Self draining seat

14 Gauge steel frame with black powder coat finish

Poured-in-place construction

130 - 300 lb weight adjustment

Durable suspension cover keeps suspension free of dirt and dust

See **REVERSE** for applications, drawings and options.

- **Wise WM1820 Seat**
- Mechanical suspension
- Heavy-duty shocks
- 5" suspension travel
- All controls move with top of suspension

TRACTORSEATS.com CONSTRUCTIONSEATS.com



800-328-1752

308 NW 2nd Street • Renville, MN 56284



APPLICATIONS



Front End Loaders



Excavators



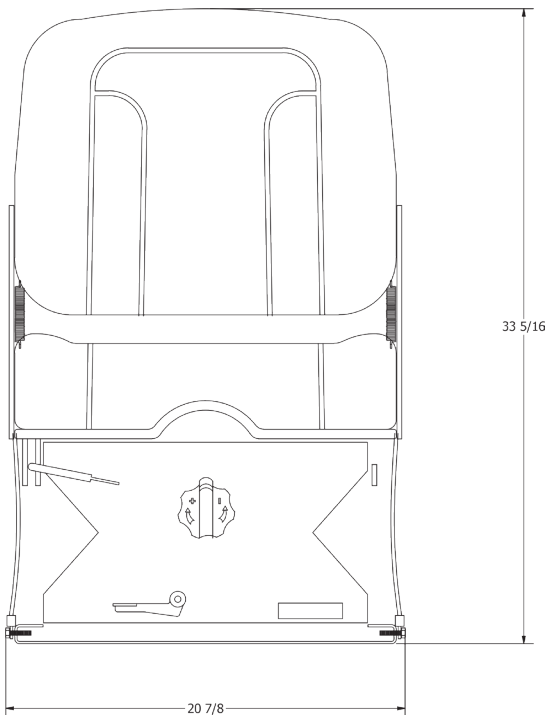
Dozers

Fits - Case® Wheel Loader W30;
Caterpillar® Dozers D3B, D3C LGP, D3C LGP III, D3C XL II, D4C LGP III, D4C XL II, D4H, D4H II, D4H LGP II, D5, D5 LGP, D5C III, D5H XL, D5H XL III, D5M LGP, D5M XL, D6D LGP, D6D PS, D6H, D6H II, D6H DS LGP, D6H DS XL II, D6H LGP II, D6H LGP III, D6H LT, D6H XL, D6H XL II, D7, D7C, D7E, D7F, D7G, D7G LGP, D7H, D7H LGP, D8H, D8K, D8L, D8N, D9H, D9L, D9N, D10, D10N;
Caterpillar® Excavator 245B;
Caterpillar® Wheel Loaders 916, 920, 926E, 936, 936E, 950B, 950F, 988B, 992C, IT18B;
John Deere® Crawler Loaders 450G, 455G, 550G, 555B, 555G, 650G, 655, 655B, 700H, 750, 750B, 750C, 755, 755A, 755B, 850, 850B, 850C, 855;
John Deere® Wheel Loaders 344E, 444C, 444CH, 444D, 444E, 544C, 544D, 644C, 644D, 844;
Komatsu® Bulldozers D32E, D32E-1, D38E, D38E-1, D39E-1 with original Wise seat

OPTIONS

- 8196 Replacement Seat Cushion (Black Vinyl)
- 8197 Replacement Backrest Cushion (Black Vinyl)

FRONT VIEW



SIDE VIEW

