

KM 165

Uni Pro™ Bucket Seat



Black Vinyl
PN: 7519

milsco®

Contoured foam cushion
for added comfort

Drain hole
prevents water
build-up

Vacuum formed
waterproof vinyl
cover adds comfort
and durability

One piece
steel pan

Mounting patterns include (W x L):

- 11" x 8"
- 8.25" x 5"

- Original Cub Cadet seat
- 19.75" x 14.13" x 19.25" (W x H x D)

See **REVERSE**
for applications
and drawings.

TRACTORSEATS.com **TURFS**EATS.com



800-328-1752

308 NW 2nd Street • Renville, MN 56284

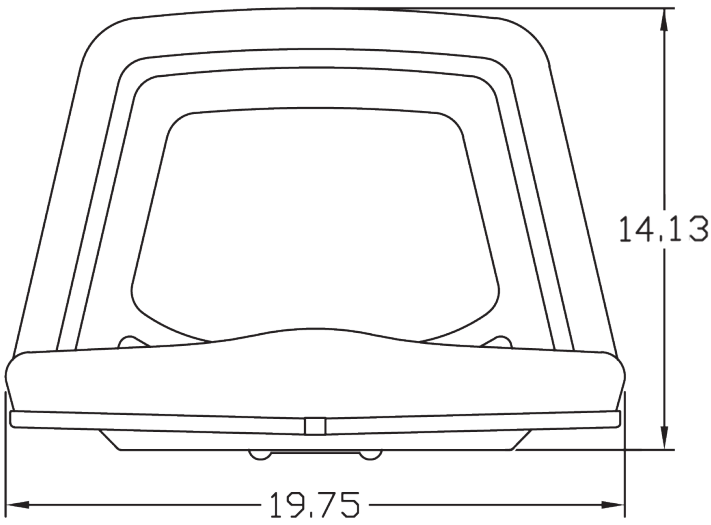


APPLICATIONS



Lawn Mowers

FRONT VIEW



SIDE VIEW

