

KM 149

Uni Pro™ Seat & Suspension



Black Vinyl
PN: 8085

110 - 264 lbs
continuous weight
adjustment

Vacuum formed
waterproof cover
adds comfort and
versatility

2" suspension
stroke

0° - 15° adjustable
backrest adds
comfort and versatility

Slide rails provide
9.5" fore/aft
adjustment ensuring
operator comfort

See **REVERSE**
for applications,
drawings
and options.

- Integrated mechanical suspension
- Meets flammability standards FM-VSS302 and ISO 3795
- Armrests fold up and out of the way allowing easy access to the seat (optional)
- Safety belt attachment complying to ISO 3776 and ISO 6683 (optional)



TRACTORSEATS.com CONSTRUCTIONSEATS.com

800-328-1752

308 NW 2nd Street • Renville, MN 56284



APPLICATIONS



Forklifts

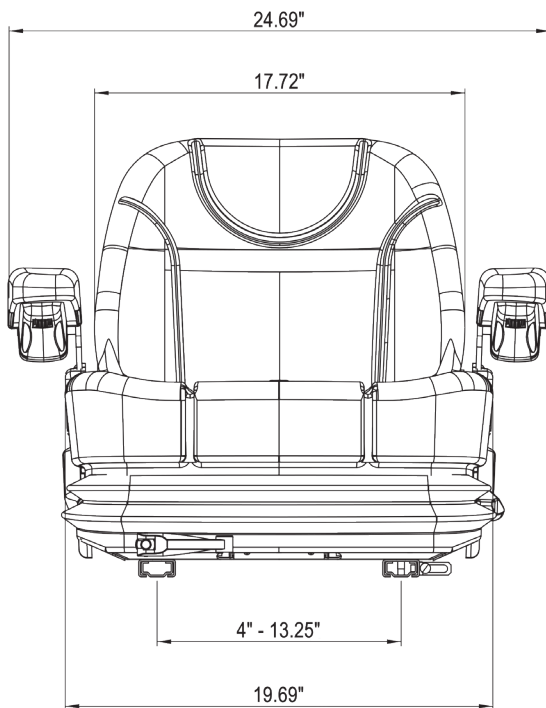


Skid Steers

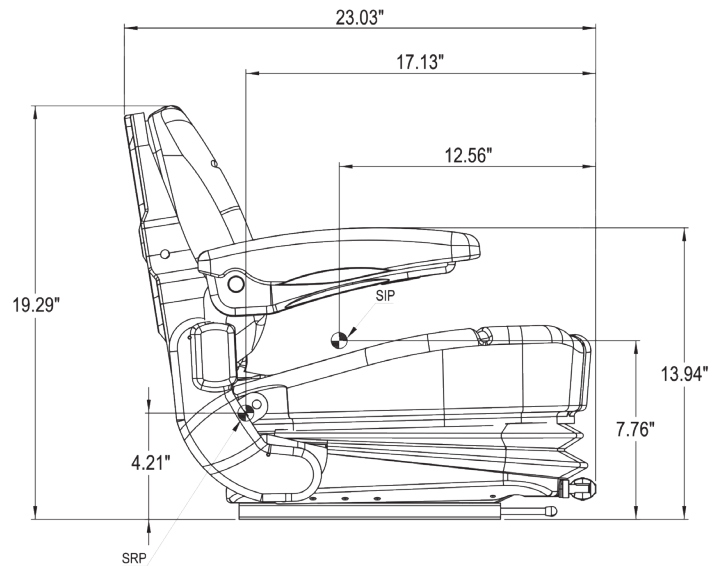
OPTIONS

8086 Retractable Seat Belt

FRONT VIEW



SIDE VIEW



**Drawings show optional armrests and seat belt.*