

KM 1400

Uni Pro™ Seat & Mechanical Suspension



CHOOSE FROM



Black Vinyl
PN: 8263

OR



Black Fabric
PN: 8264

seats®



PN: 8264



Mid-high profile backrest

15° infinite-position backrest angle adjustment adds comfort and versatility

Patented “knee action” mechanical suspension for a smoother, more comfortable ride

Easy and fast one-hand control height adjustment with 4 positive lock positions

See **REVERSE** for applications, drawings and options.

Built-in, contoured lumbar and thigh support for added comfort and support

Operator weight adjustment ensures operator comfort

12" wide slide mounting

Versatile 6" double locking fore/aft slide rails allow easy movement for operators of almost any size

PN: 8263

- **Seats Inc Magnum 200 Seat**
- Long life, self-lubricating Teflon impregnated bearing
- Contour comfort cushions with heavy black vinyl upholstery or black Tuff-Tex fabric covering
- Operator weight adjustment uses Ride Control to make cushions more firm or soft
- Includes suspension cover and installation hardware

TRACTORSEATS.com

CONSTRUCTIONSEATS.com



800-328-1752

308 NW 2nd Street • Renville, MN 56284



APPLICATIONS

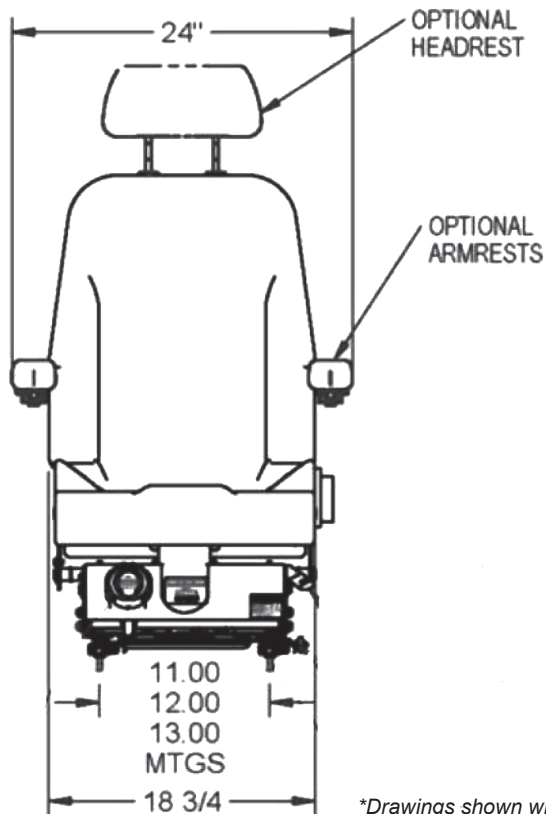


Front End Loaders

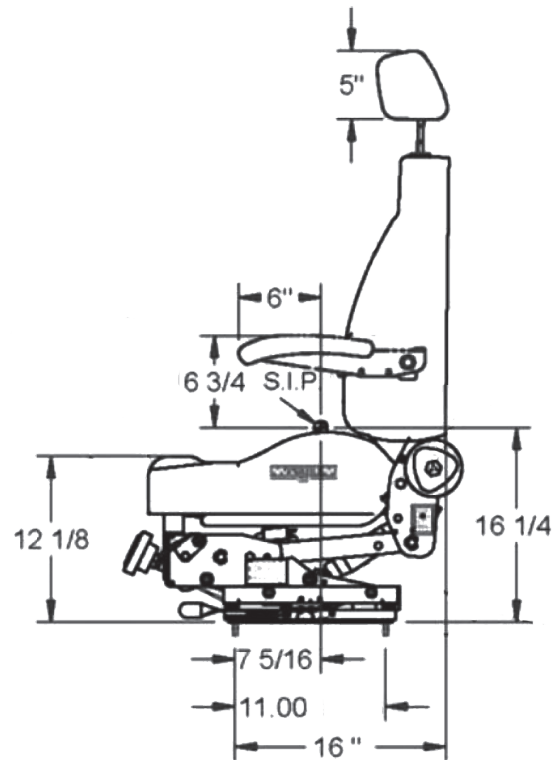
OPTIONS

- 7835 Armrest Kit
- 8470 Padded Armrest Kit
- 7911* Lap Belt
- 7925* 45.5" Retractable Seat Belt
- *6002 Seat Belt Bracket
(Necessary with PNs: 7911 & 7925)
- 8443 47" Retractable Seat Belt with Switch
- 8590 51.5" Orange Retractable Seat Belt
- 6097 Caterpillar Adapter Plate
(required to fit any Caterpillar equipment)

FRONT VIEW



SIDE VIEW



*Drawings shown with optional armrests and headrest.