




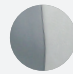


# KM 136

## Uni Pro™ Seat & Suspension



### CHOOSE FROM

- |   |    |   |    |   |    |   |    |   |    |   |
|---|----|---|----|---|----|---|----|---|----|---|
|  | OR |  | OR |  | OR |  | OR |  | OR |  |
| Black Vinyl<br>w/ Mech. Susp.<br><b>PN: 7882</b>                                  |    | Black Vinyl<br>w/ Air Susp.<br><b>PN: 7916</b>                                    |    | Black Fabric<br>w/ Air Susp.<br><b>PN: 7776</b>                                   |    | Brown Vinyl<br>w/ Air Susp.<br><b>PN: 8189</b>                                    |    | Gray Vinyl<br>w/ Mech. Susp.<br><b>PN: 8188</b>                                     |    | 2-Tone Gray Vinyl<br>w/ Mech. Susp.<br><b>PN: 8462</b>                              |



**PN: 8189**

*\*Armrests standard on  
KM 136 in brown vinyl*



**Mechanical lumbar support** provides extra back support

**Adjustable backrest** adds comfort and versatility

**100 - 375 lb weight adjustments** with visual indicator

**Slide rails provide 8.3" fore/aft adjustment** ensuring operator comfort

**PN: 7882**

See **REVERSE** for applications, drawings and options.

- **Grammer Air MSG75/531 Seat or Grammer Mechanical MSG65/531 Seat**
- Retractable seat belt standard on PNs: 7882, 7916 & 8189 (optional on PNs: 7776, 8188 & 8462)
- Operator presence switch (standard on PNs: 7776, 7882, 7916 & 8189) (optional on PNs: 8188 & 8462)
- 2.38" suspension travel
- Set slides at 11.25" W or 12.91" W



[TRACTORSEATS.com](http://TRACTORSEATS.com) [CONSTRUCTIONSEATS.com](http://CONSTRUCTIONSEATS.com) [TURFSEATS.com](http://TURFSEATS.com)

**800-328-1752**

308 NW 2nd Street • Renville, MN 56284



## APPLICATIONS



Forklifts



Lawn Mowers



Skid Steers

## OPTIONS

- 7885 LH Armrest
- 7884 RH Armrest
- 8015 Headrest (Black Vinyl)
- 7887 Retractable Seat Belt  
(standard on PNs: 7882, 7916 & 8189;  
optional on 7776, 8188 & 8462)
- 8450 Document Pouch
- 7918 Isolator Kit
- 8672 Operator Presence Switch  
(standard on PNs: 7779, 7882, 7916 &  
8189; optional on 8188 & 8462)
- 8065 Seat/Backrest Cover Kit  
(Alcanta Two-Tone Gray Fabric)
- 8066 Backrest Extension Cover Kit  
(Alcanta Two-Tone Gray Fabric)

## MAINTENANCE ITEMS

Only fit the  
K&M seat assembly.

- 8151 Replacement Backrest Cushion  
(Black Vinyl)
- 8152 Replacement Seat Cushion  
(Black Vinyl)
- 8172 Replacement Backrest Cushion  
(Black Fabric)
- 8173 Replacement Seat Cushion  
(Black Fabric)
- 8466 Replacement Backrest Kit
- 8370 Replacement Seat Belt Cover Kit
- 8088\*\* Replacement Weight Adjust Handle Kit
- 8593\*\* Replacement Weight Adjust Handle & Block
- 8399 Replacement Backrest Adjustment  
Handle Kit
- 8674 Replacement Wire Harness
- 8516\* Replacement Weight Indicator Kit
- 8278\* Replacement MSG75 12-Volt  
Compressor Kit
- 8514\* Replacement MSG75 Shock Absorber
- 8315\* Replacement Airbag Kit
- 8471\* Replacement Air Hose
- 8318\* Replacement Switch Kit

\*Replacement for air suspension seat only.

\*\*Replacement for mechanical suspension seat only.

### Air Suspension Seats



PN: 7916



PN: 7776



PN: 8189

### Mechanical Suspension Seats



PN: 7882

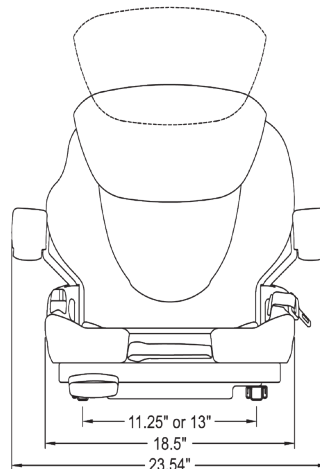


PN: 8188

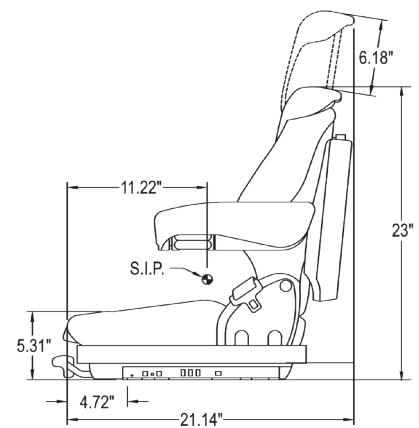


PN: 8462

### FRONT VIEW



### SIDE VIEW



\*Drawings show optional headrest, armrests and seat belt.

Armrests standard on PN: 8189. Seat belt standard on PNs: 7882, 7916 & 8189.