

KM 1212

Uni Pro Seat & Suspension



CHOOSE FROM



Black Fabric
PN: 8274

OR



Black Vinyl
PN: 8275

seats®



Multi-axis, adjustable headrest

Adjustable lumbar support

Infinite adjustable armrests allowing easy access to the seat and operator comfort

Fully reclining backrest adds comfort and versatility

Operator suspension controls in front (tilt and recline)

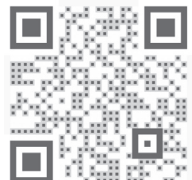
275 lb weight adjustment

Bellows suspension cover keeps suspension free of dirt and dust

6" double locking slide rails

See **REVERSE** for applications, drawings, and options.

- Low profile mechanical suspension
- EVC Cushion Comfort System
- Integrated ICP
- 2.5" height adjustment
- 4" suspension stroke
- Shock absorber
- Black Tufftex fabric or black vinyl



TRACTORSEATS.com CONSTRUCTIONSEATS.com

800-328-1752

308 NW 2nd Street • Renville, MN 56284



APPLICATIONS



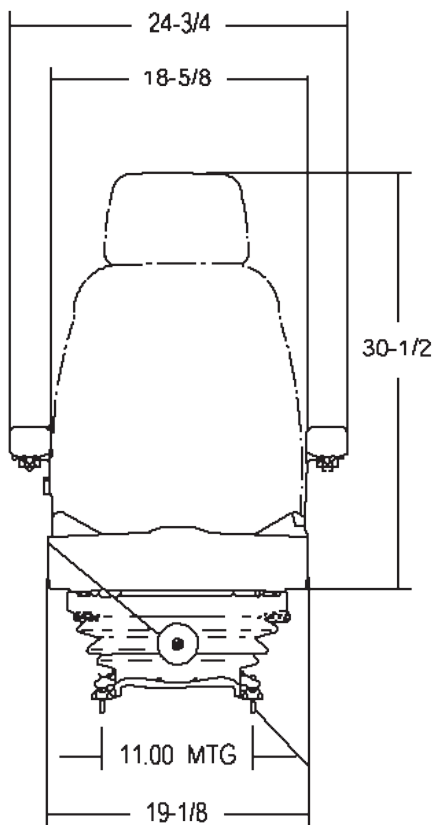
OPTIONS

- 6097* Caterpillar Adapter Plate
- 6100** C Channel Adapter Brackets

*Caterpillar adapter plate required to fit any caterpillar equipment.

**C Channel adapter brackets are universal adapters to adapt the KM 1212 to any make of equipment.

FRONT VIEW



SIDE VIEW

