

KM 1201

Uni Pro™ Seat & Suspension



CHOOSE FROM

● OR ●
Charcoal Gray Fabric PN: 7921
Black Vinyl PN: 8542

SEARS SEATING

PN: 8542



PN: 7921



Slide rails provide fore/aft adjustment ensuring operator comfort

Easily accessible push-pull air switch

Adjustable lumbar supports your lower back with multiple settings

Adjustable padded armrests fold up and out of the way allowing easy access to the seat

Adjustable backrest adds comfort and versatility

Durable rubber molded suspension cover keeps components free of dirt and dust

See REVERSE for applications and options.

- Heavy-duty 24-Volt air suspension with 3.27" suspension stroke for smoother, more comfortable ride
- Suspension weight adjustment of 99 - 320 lbs
- Seat cushion width of 21.5"; Seat back height of 19"
- Heavy-duty puck slides
- 2" retractable seat belt (optional)

TRACTORSEATS.com CONSTRUCTIONSEATS.com

800-328-1752

308 NW 2nd Street • Renville, MN 56284



APPLICATIONS



Construction

Fits - John Deere® Construction Equipment

Motor Graders: 670C, 670CH, 672CH (C-Series II Graders Serial Number 582130 and Above), 670D, 672D, 770C, 770CH, 772CH (C-Series II Graders Serial Number 582130 and Above), 770D, 772D, 870D, 872D

Tool Carriers & Log Skidders: TC44H, 444H LL, TC54H, 544H LL, TC62H, 624H LL

Wheel Loaders: 444H, 444J, 544H, 544J, 624, 624H, 644H, 644J, 724J, 744H, 744J, 824J

OPTIONS

- 7977 2" Retractable Seat Belt
- 8417 3" Retractable Seat Belt

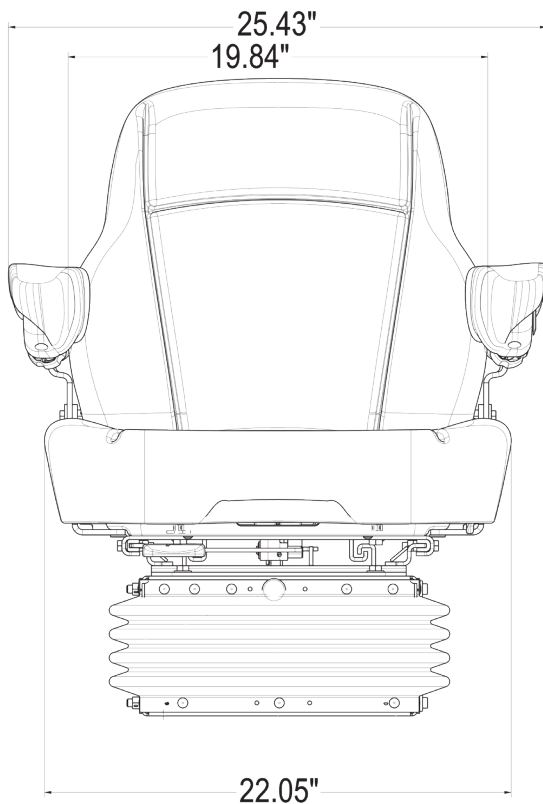
MAINTENANCE ITEMS

- 8140 Replacement LH Armrest
- 8141 Replacement RH Armrest
- 8143* Replacement 24-Volt Air Suspension
- 6090** Replacement Universal Construction Mounting Plate
- 8089 Replacement 24-Volt Compressor Kit
- 7980 Replacement Air Switch Kit

*Mounting pattern on top of the suspension is 14.625" x 9"

**Used for adapting replacement air suspension (PN: 8143) to seat using a 15" wide mounting pattern

FRONT VIEW



SIDE VIEW

