

KM 117 Uni Pro™

Utility Suspension Assembly



CHOOSE FROM



Black Vinyl
PN: 7734

OR



Yellow Vinyl
PN: 7736



Vacuum formed waterproof vinyl adds comfort and durability

Contoured foam cushions for added comfort

Heavy-duty adjustable mechanical suspension

Slide rail adjustment ensuring operator comfort

- Armrests fold-up and out of the way allowing easy access to the seat (optional)
- 2.36" height adjustment
- 3.15" suspension stroke
- Manual weight adjustment up to 287 lbs

See **REVERSE** for applications, drawings and options.

TRACTORSEATS.com CONSTRUCTIONSEATS.com



800-328-1752

308 NW 2nd Street • Renville, MN 56284



APPLICATIONS



Front End Loaders



Skid Steers



Tractors

Also: Crawlers, Log Loaders and Pavers

Fits - AGCO®, AGCO® Allis, AGCO® White, Allis Chalmers®, Case®, Deutz®, Deutz-Allis®, Ford®-New Holland®, John Deere®, Kubota®, Massey Ferguson®, Oliver®/White® and Versatile® Tractors

[View Applications Online](#)

OPTIONS

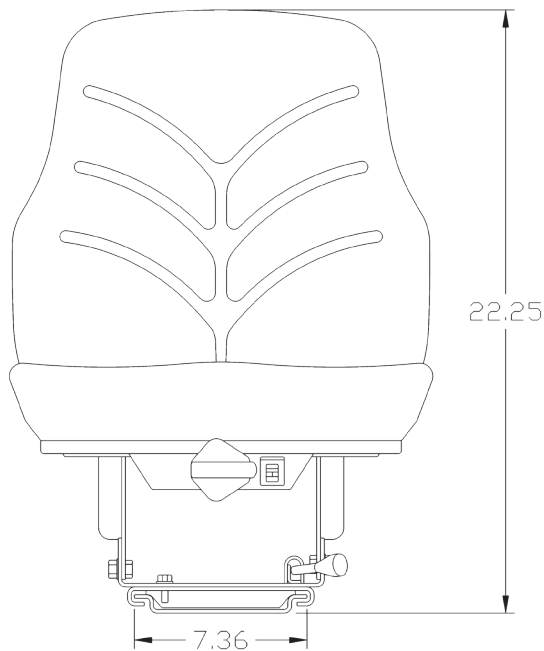
- 8000 Armrest Kit
- 8673 Operator Presence Switch (Pad Style)

MAINTENANCE ITEMS

- 8550* Replacement Backrest Cushion (Yellow Vinyl)
- 8238* Replacement Seat Cushion (Black Vinyl)
- 8239* Replacement Seat Cushion (Yellow Vinyl)
- 8596 Replacement Weight Adjustment Knob

*Replacement cushions only fit the K&M seat assembly.

FRONT VIEW



SIDE VIEW

