

# KM 1040

## Uni Pro™ Seat & Suspension



Multi-Gray  
Fabric  
PN: 8064

### KAB//Seating



- **KAB 565 or 65K4 Seat**
- Integrated 24-Volt compressor is wired to tractor's electrical system to provide power to the suspension compressor
- 6.3" vertical suspension stroke
- 100 - 385 lb manual weight adjustment for drive weight with extended weight range for operators
- 2.4" integral height adjustment
- Retractable seat belt and armrest kit (optional)
- Meets EM1, EM3 and EM5 specifications

See **REVERSE**  
for applications,  
drawings and  
options.



TRACTORSSEATS.com CONSTRUCTIONSEATS.com

800-328-1752

308 NW 2nd Street • Renville, MN 56284



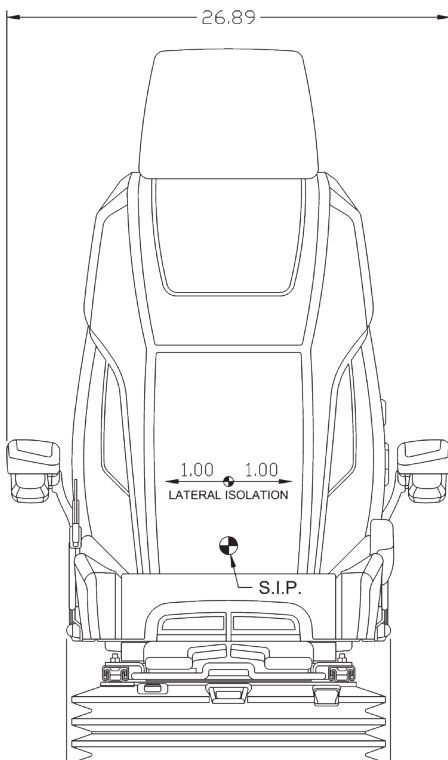
## APPLICATIONS



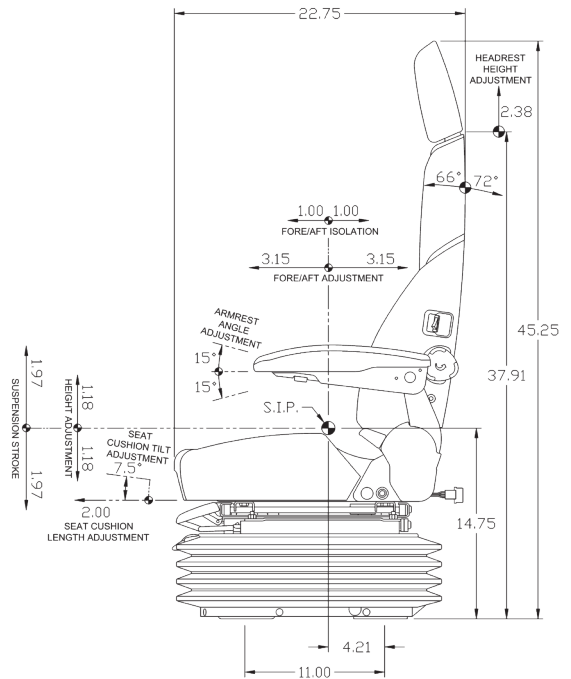
## OPTIONS

- 8110 Armrest Kit
- 8111 Retractable Seat Belt

### FRONT VIEW



### SIDE VIEW



*\*Note: Drawings shown with optional armrests and seat belt.*