

# John Deere® Dozer

## Uni Pro™ Seat & Suspension Kit



Multi-Gray  
Fabric  
PN: 6867

**KAB//Seating**

**Durable textile cover** adds comfort and durability

**5-position adjustable lumbar** provides extra back support

**Manual air valve**

**Adjustable backrest angle** adds comfort and versatility

**2.5" height and suspension tilt adjustment**

**Seat belt fixation points**

**Slide rails provide 8" fore/aft adjustment in .4" increments** ensuring operator comfort

**Durable rubber molded suspension cover** keeps suspension components free of dirt and dust

**PN: 6867 Kit Includes:** KM 1030 Uni Pro™ Seat & Suspension, KM Pedestal & Bolt Bag

- Air suspension with 24-Volt compressor is wired to tractor's electrical system to provide power to the suspension compressor
- 5" vertical suspension stroke
- 100 - 385 lb manual weight adjustment for drive weight with extended weight range for operators
- Armrest kit (optional)
- Meets ISO 7096 vibration rating
- Meets EM1, EM3, EM4, EM5, EM6 and EM8 specifications

See **REVERSE** for applications, drawings and options.



[TRACTORSEATS.com](http://TRACTORSEATS.com)

[CONSTRUCTIONSEATS.com](http://CONSTRUCTIONSEATS.com)

**800-328-1752**

308 NW 2nd Street • Renville, MN 56284



## APPLICATIONS



### Fits - John Deere® Dozers and Loader:

**Dozers:** 450G, 450H, 450J, 450J LGP, 455G, 550G, 550H, 550J, 550J LGP, 550K, 555G, 605K, 650G, 650H, 650J, 650J LGP, 650K, 650K LGP, 655K, 700H, 700J, 700K, 750C, 750C-II, 750J, 750K, 755K, 850C, 850C-II, 850J, 850JR, 850K;

**Loader:** 624J

*Replaces John Deere® Dozer Numbers AT226698, AT424640, AT226696*

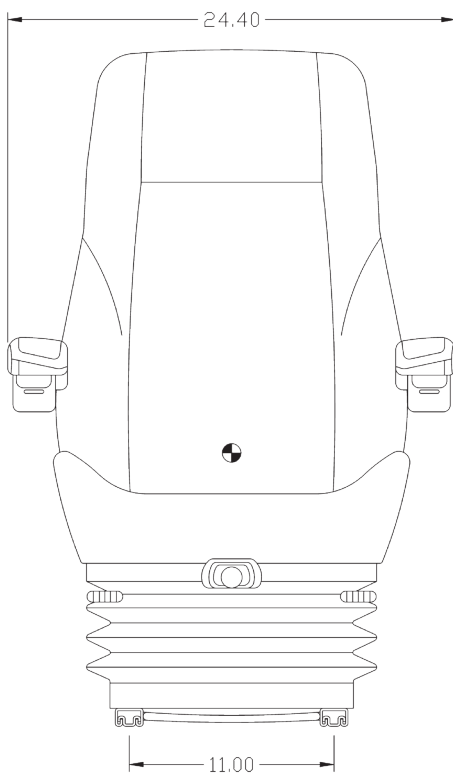
## OPTIONS

- 8144 Armrest Kit
- 8434 Headrest (Black Fabric)
- 8111 Retractable Seat Belt

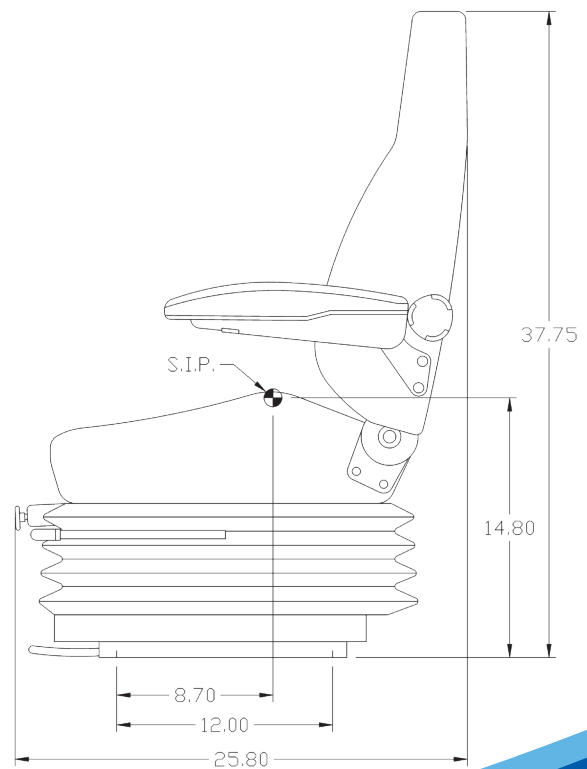
## MAINTENANCE ITEMS

- 8472 Replacement Air Switch Kit
- 8398 Replacement 24-Volt Air Suspension

FRONT VIEW



SIDE VIEW



*\*Drawings shown with optional armrests.*