

KM 1025

Uni Pro Seat & Suspension



Multi-Gray Fabric
PN: 8063CO

KAB//Seating

Durable textile cover adds comfort and durability

Seat height and tilt adjustment

Durable rubber molded suspension cover keeps suspension components free of dirt and dust



Adjustable headrest for added comfort

Highback seat

Seat heat

Adjustable lumbar supports your lower back with multiple settings and provides extra back support

Adjustable backrest angle adds comfort and versatility

- **KAB 85/K4 Seat**
- Low natural frequency 24-Volt compressor is wired to tractor's electrical system to provide power to the suspension compressor
- 6" vertical suspension stroke
- 100 - 385 lb manual weight adjustment for drive weight with extended weight range for operators
- Slide rails provide fore/aft adjustment ensuring operator comfort
- Retractable seat belt (optional)
- Armrest kit (optional)
- Meets EM1, EM3, EM5 and EM6 specifications

See **REVERSE** for applications, drawings and options.



TRACTORSSEATS.com CONSTRUCTIONSEATS.com

800-328-1752

308 NW 2nd Street • Renville, MN 56284



APPLICATIONS



Construction

EM3 and EM6:

Vehicle categories: Bulldozers, Cranes, Dump Trucks, Forestry Machines, Telehandlers, Wheel Loaders

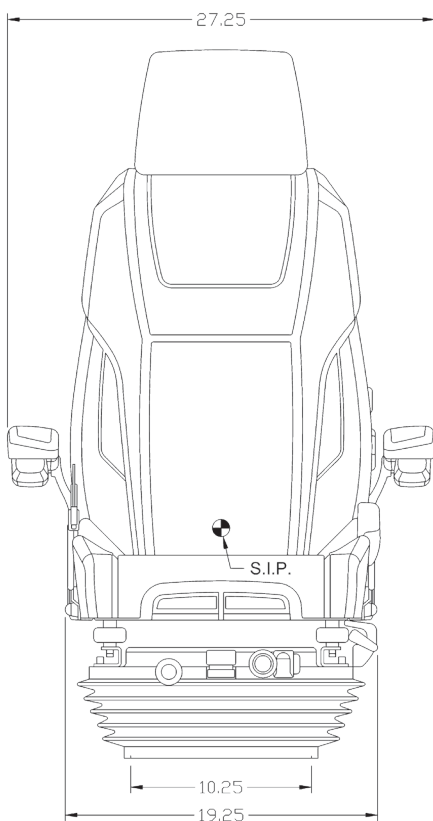
OPTIONS

- 8110 Armrest Kit
- 8111 Retractable Seat Belt

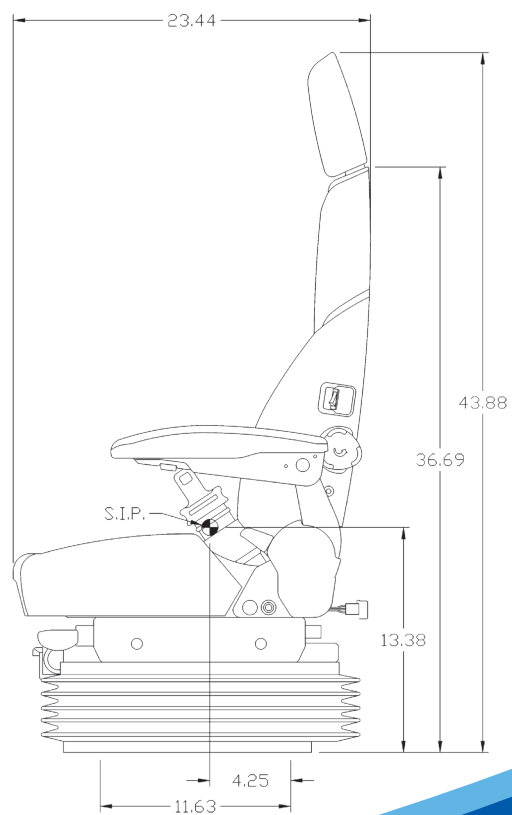
MAINTENANCE ITEMS

- 8433 Replacement Suspension Airbag Kit

FRONT VIEW



SIDE VIEW



**Drawings shown with optional armrests and seat belt.*