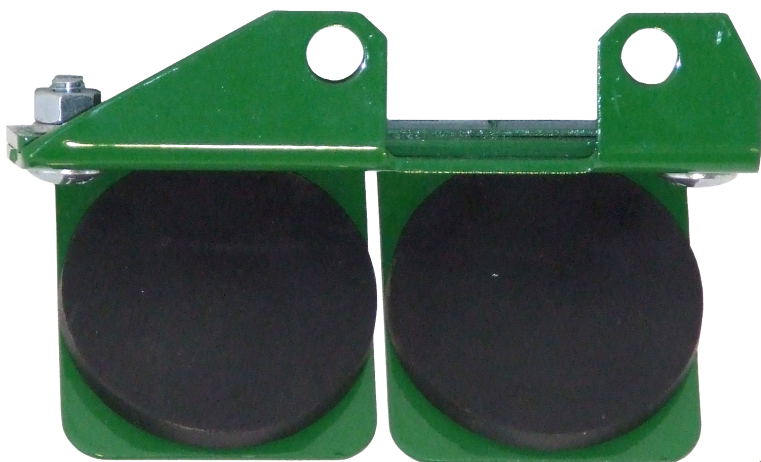


# KM Hydra Covers & Levers

For John Deere Tractors



PN: 2102 SHOWN



PN: 2002 SHOWN

- Hydraulic port cover/lever
- Easy to install

## HYDRA COVERS

- Automatically closes
- Provides a tight seal
- Protects ports from dust & dirt
- No more lost or broken plugs

## HYDRA LEVERS

- Returns port for easy hookup
- Eliminate pounding and tugging
- Makes it easier to hookup and remove hydraulic hoses

See **REVERSE**  
for part numbers.

TRACTORS**EATS**.com



800-328-1752

308 NW 2nd Street • Renville, MN 56284



## APPLICATIONS



Tractors

**Fits - John Deere®**

**Tractors Model Year 1969 & Newer**

*(PN: 2102, 2002 or 2004)*

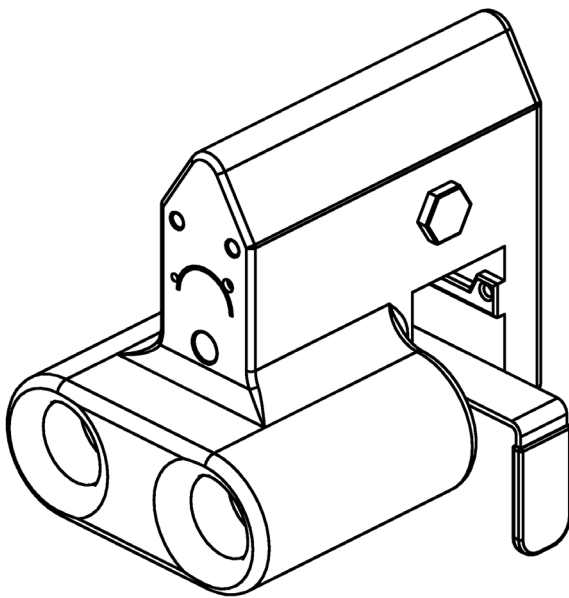
**Tractors Model Year 1965 – 1968**

*(PN: 2103)*

## PART NUMBERS

2102	JD 300 DC Hydra Cover
2103	JD 320 DC Hydra Cover
2002	JD 300 Hydra Lever Cover
2004	JD 410 Auxiliary Lever Cover

HYDRA LEVER



HYDRA LEVER & COVER

