

# CAT 416-450 Series

## Backhoe Seat Kits



### CHOOSE FROM



Black Vinyl  
PN: 6871

OR



Multi-Gray Fabric  
PN: 6882



Durable black vinyl or black fabric covering

Slide rails provide 6.3" fore/aft adjustment ensuring operator comfort

110 - 265 lb weight adjustment

Adjustable backrest with 45° recline adds comfort and versatility

Narrow suspension with 5.9" vertical stroke for tight fit

Durable rubber molded suspension cover keeps suspension components free of dirt and dust



PN:6871

**PN: 6871 & 6882 Kit Includes:** KM 111 Uni Pro™ Seat & Suspension, KM Pedestal & Bolt Bag

- Hi-back upper seat top with narrow mechanical suspension
- Document pouch to store owner's manual and other valuables
- Vertical height adjustment of 2.76"
- Integrated swivel with 180° rotation
- Ride indicator for best suspension setting

See **REVERSE** for applications, drawings and options.



TRACTORSSEATS.com CONSTRUCTIONSEATS.com

800-328-1752

308 NW 2nd Street • Renville, MN 56284



## APPLICATIONS

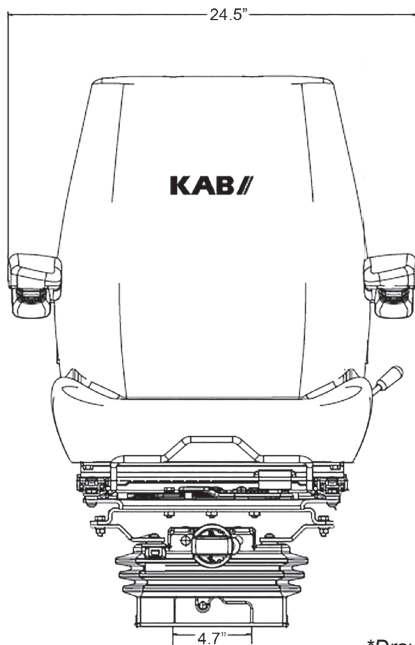


Fits - Caterpillar® 416-450 Series Backhoes  
*(Replaces Caterpillar® Numbers 206-1796, 314-4290)*  
**416 Series:** 416E, 416F2; **420 Series:** 420D, 420E, 420F, 420F2; **422 Series:** 422E, 422F, 422F2;  
**427 Series:** 427F2; **428 Series:** 428D, 428E, 428F, 428F2; **430 Series:** 430D, 430E, 430F, 430F2;  
**432 Series:** 432D, 432E, 432F, 432F2;  
**434 Series:** 434E, 434F, 434F2; **442 Series:** 442D, 442E; **444 Series:** 444E, 444F, 444F2;  
**446 Series:** 446D; **450 Series:** 450E, 450F

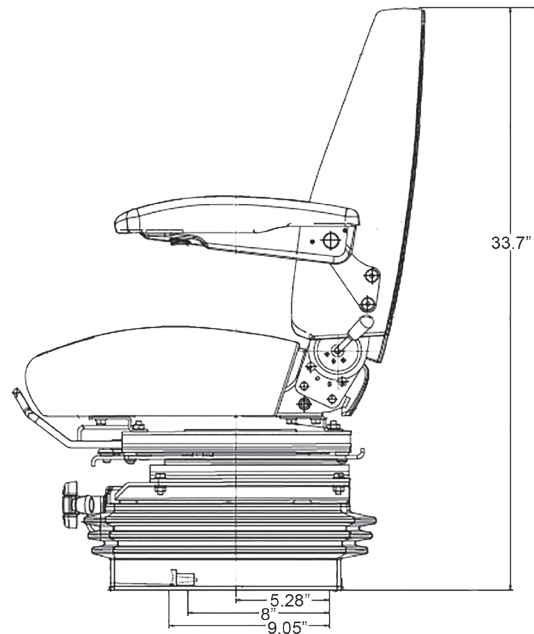
## OPTIONS

- 8445 Headrest (Black Vinyl)
- 8446 Headrest (Multi-Gray Fabric)
- 8415 Headrest Install Kit
- 8144 Armrest Kit
- 8498 Seat Belt

FRONT VIEW



SIDE VIEW



\*Drawings shown with optional armrests  
and without KM Pedestal.