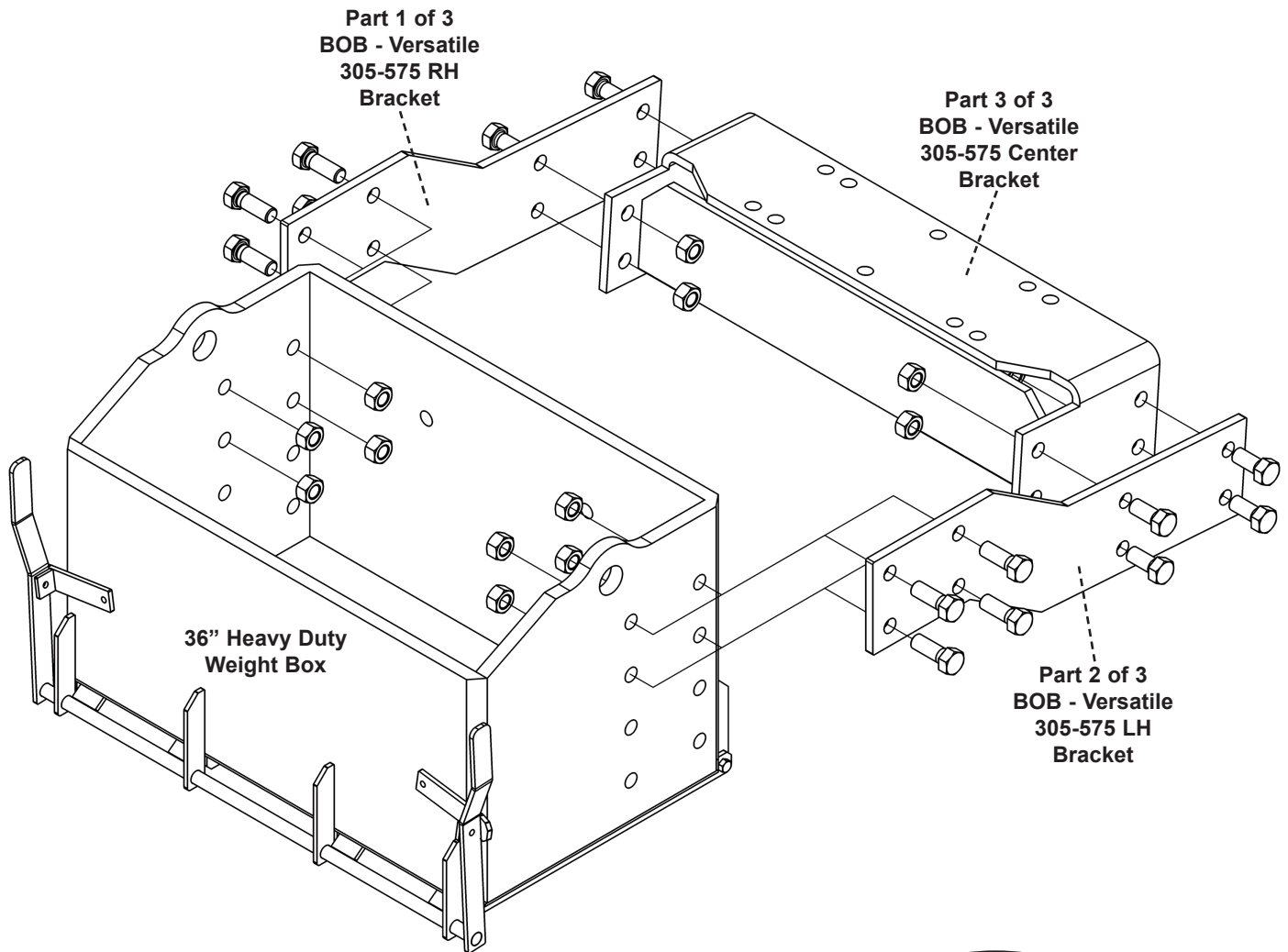


Versatile 305-575 Heavy Duty BOB 36"

Versatile 305, 340, 375, 400, 435, 535, 575

Part Number: 2491

(36" Heavy Duty Weight Box Part Number: 1816)



Also Includes
Weight Box
Mounting Bolt Bag
(PN: 40007)



Phone - 800.328.1752
Fax - 320.329.3709
Email - sales@tractorseats.com
Web Site - www.tractorseats.com
P.O. Box 409 - 308 NW 2nd Street
Renville, MN 56284