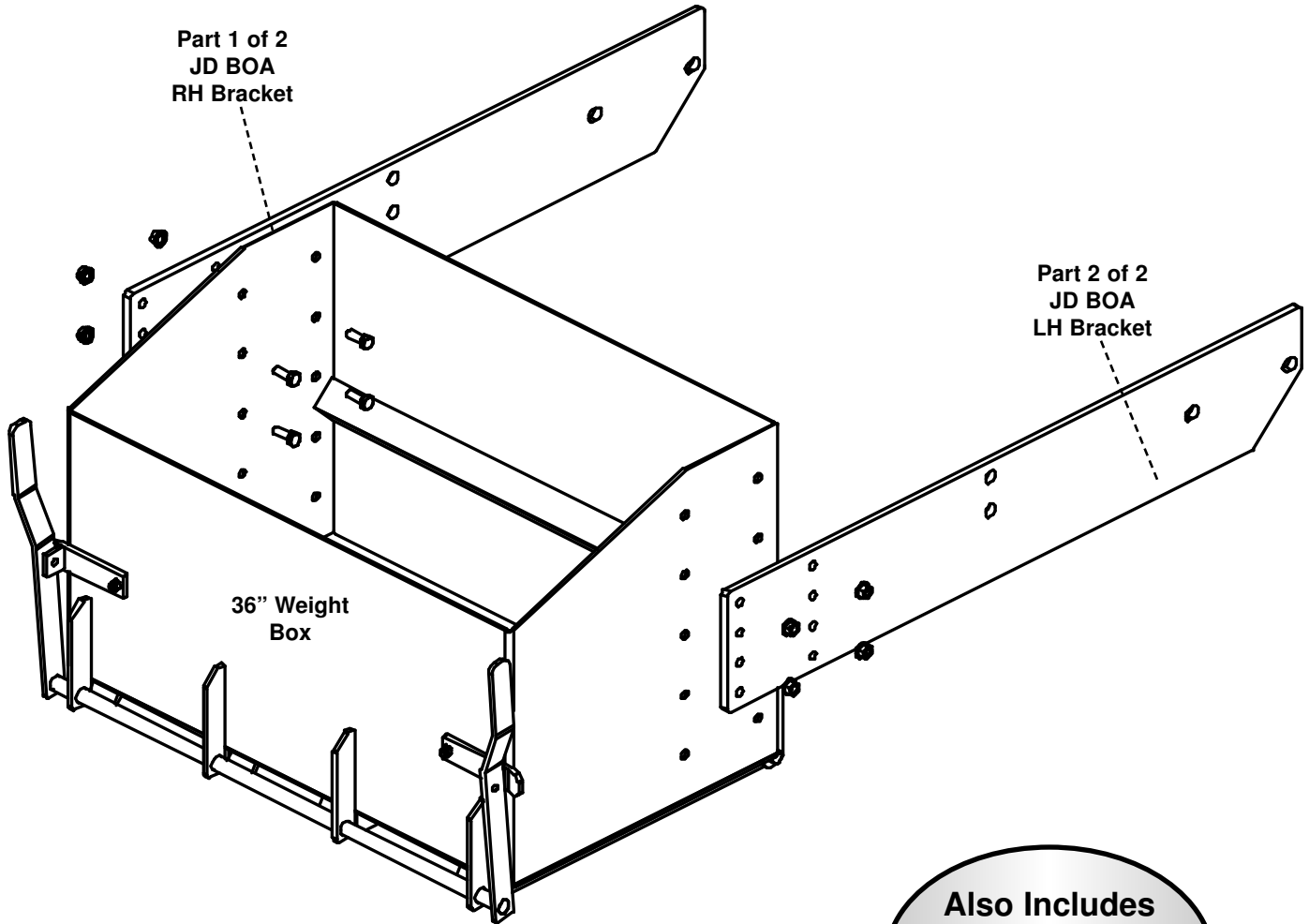


John Deere BOA 36"

8560, 8760, 8960, 8570, 8770, 8870 & 8970

Part Number: 2349

(36" Weight Box Part Number: 1828)



Also Includes
Weight Box
Mounting Bolt Bag
(PN: 40001)



Phone - 800.328.1752
Fax - 320.329.3709
Email - sales@tractorseats.com
Web Site - www.tractorseats.com
P.O. Box 409 - 308 NW 2nd Street
Renville, MN 56284