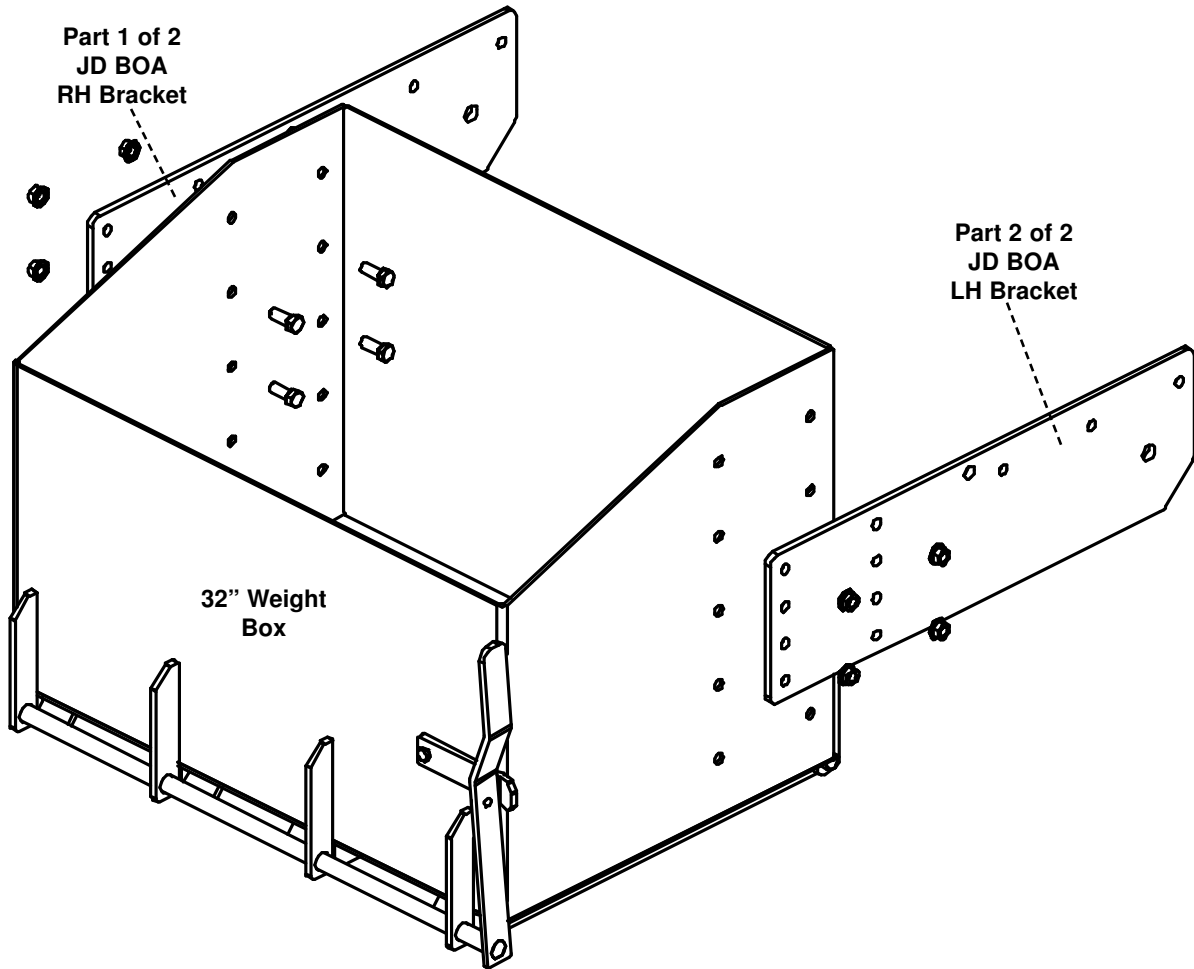


John Deere BOA 32"

8430, 8630, 8440, 8640 - 4WD

Part Number: 2348

(32" Weight Box Part Number: 1827)



Note!

The 7/16" frame holes on each side of the tractor must be drilled out to 17/32" holes. Also, one 13/16" hole must be drilled.

Also Includes
Weight Box
Mounting Bolt Bag
(PN: 40001)

K&M
Manufacturing

Phone - 800.328.1752
Fax - 320.329.3709
Email - sales@tractorseats.com
Web Site - www.tractorseats.com
P.O. Box 409 - 308 NW 2nd Street
Renville, MN 56284