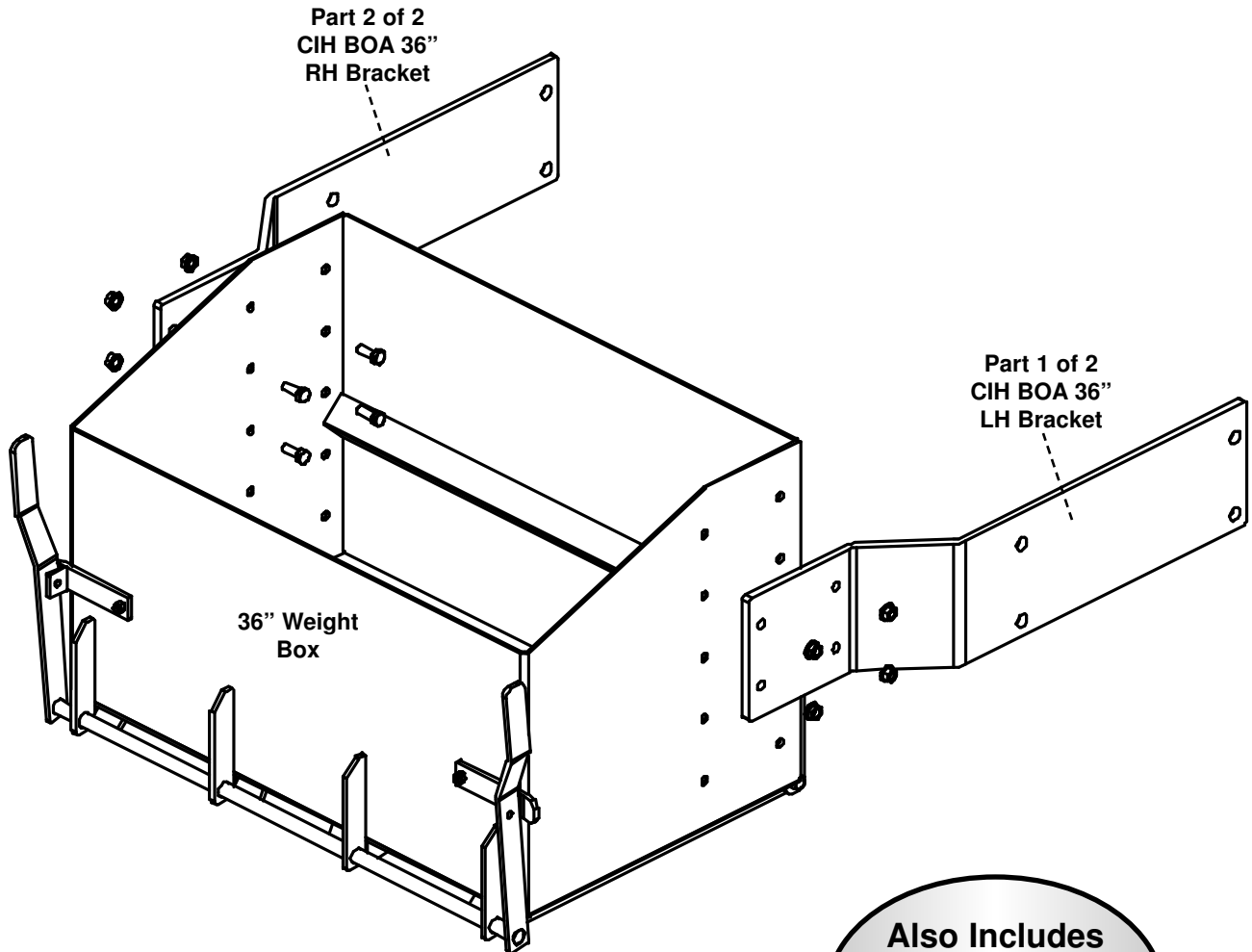


CIH BOA 36"

Bracket Part Number: 2284

(36" Weight Box Part Number: 1833)



Note! Four 25/32" holes must be drilled on each side of the tractor.

Also Includes
Weight Box
Mounting Bolt Bag
(PN: 40001)



Phone - 800.328.1752
Fax - 320.329.3709
Email - sales@tractorseats.com
Web Site - www.tractorseats.com
P.O. Box 409 - 308 NW 2nd Street
Renville, MN 56284