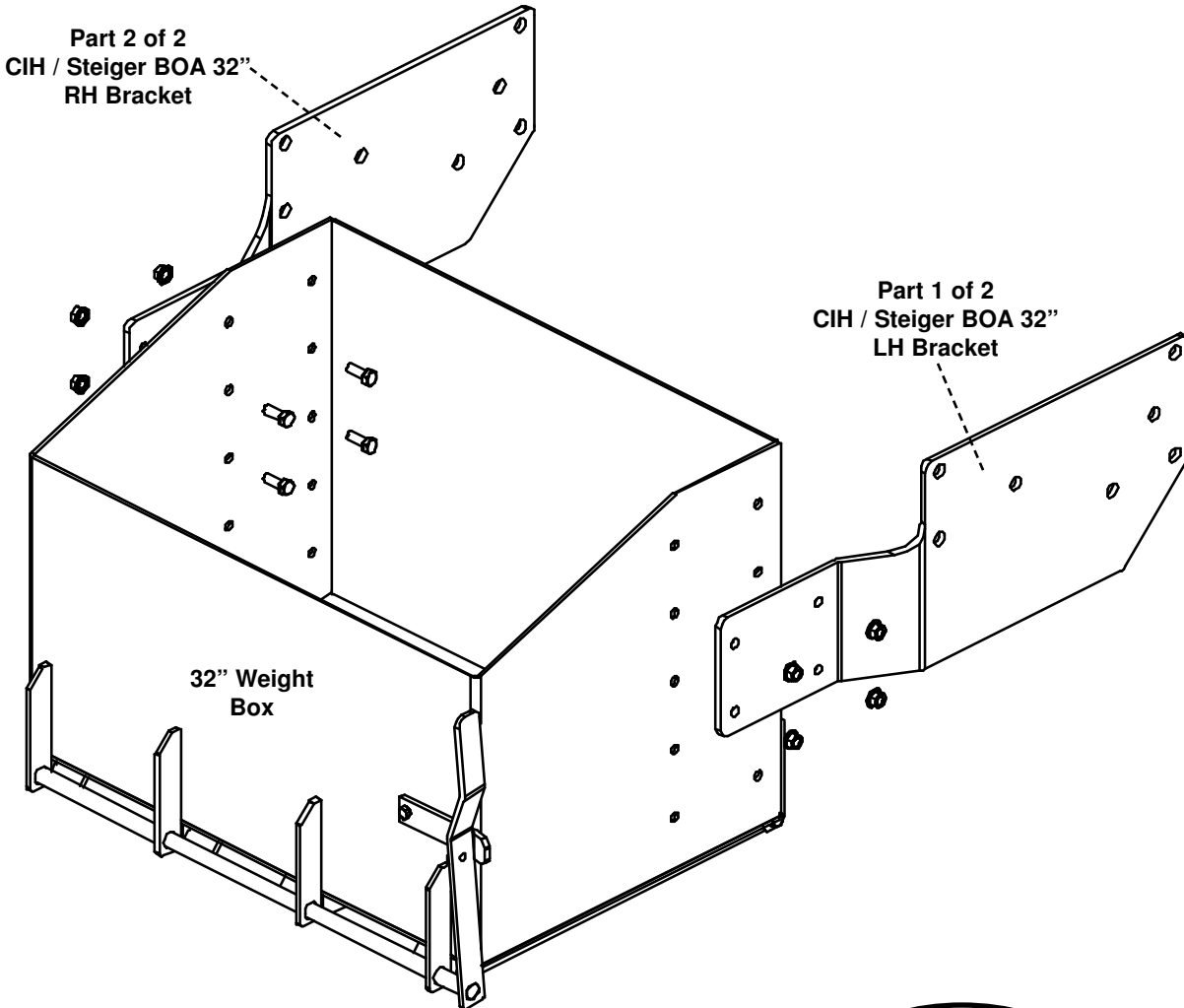


CIH / Steiger BOA 32"

Bracket Part Number: 2283

(32" Weight Box Part Number: 1850)



Note!

Three 5/8" frame holes
on each side of the
tractor must be drilled
out to 3/4" holes.

Also Includes
Weight Box
Mounting Bolt Bag
(PN: 40001)

K&M
Manufacturing

Phone - 800.328.1752
Fax - 320.329.3709
Email - sales@tractorseats.com
Web Site - www.tractorseats.com
P.O. Box 409 - 308 NW 2nd Street
Renville, MN 56284