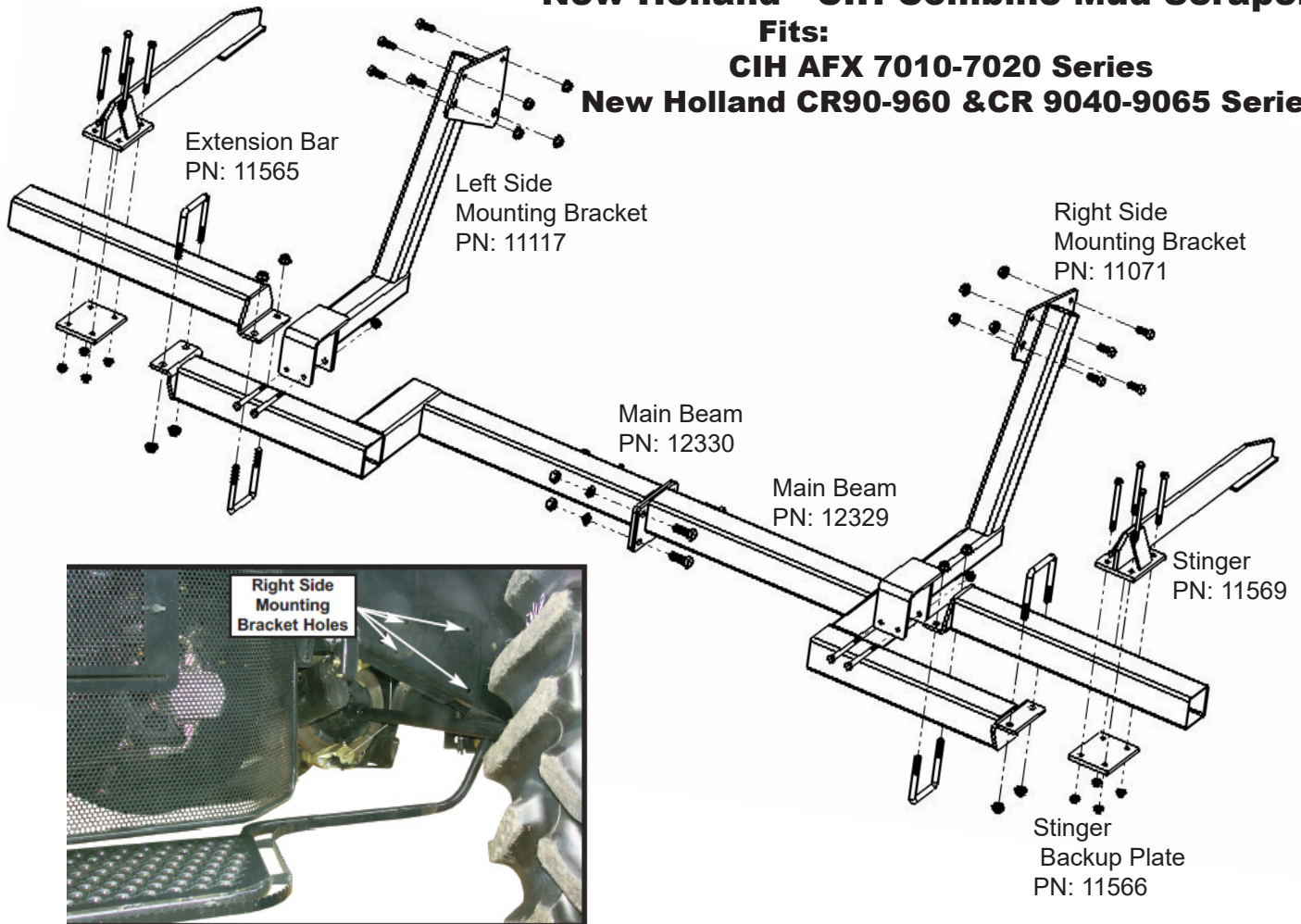


### New Holland - CIH Combine Mud Scraper

Fits:

CIH AFX 7010-7020 Series

New Holland CR90-960 & CR 9040-9065 Series



1. Attach the mounting brackets to the combine frame using four 5/8" x 1 1/2" bolts and flange nuts on each bracket.
2. Bolt the two sections of the main bar together with four 3/4-10 bolts, lock washers and nuts.
3. Attach the main bar to the mounting brackets. Fasten with four 1/2" x 5 1/2" bolts and flange nuts.
4. Attach the extension bars to each end of the main bar. Fasten with two 5/8" x 4" u-bolts and flange nuts on each end.
5. Attach the stingers to the extension bars. Fasten each stinger using the stinger backup plate, four 1/2" x 6" bolts and flange nuts.