



Installation Guide

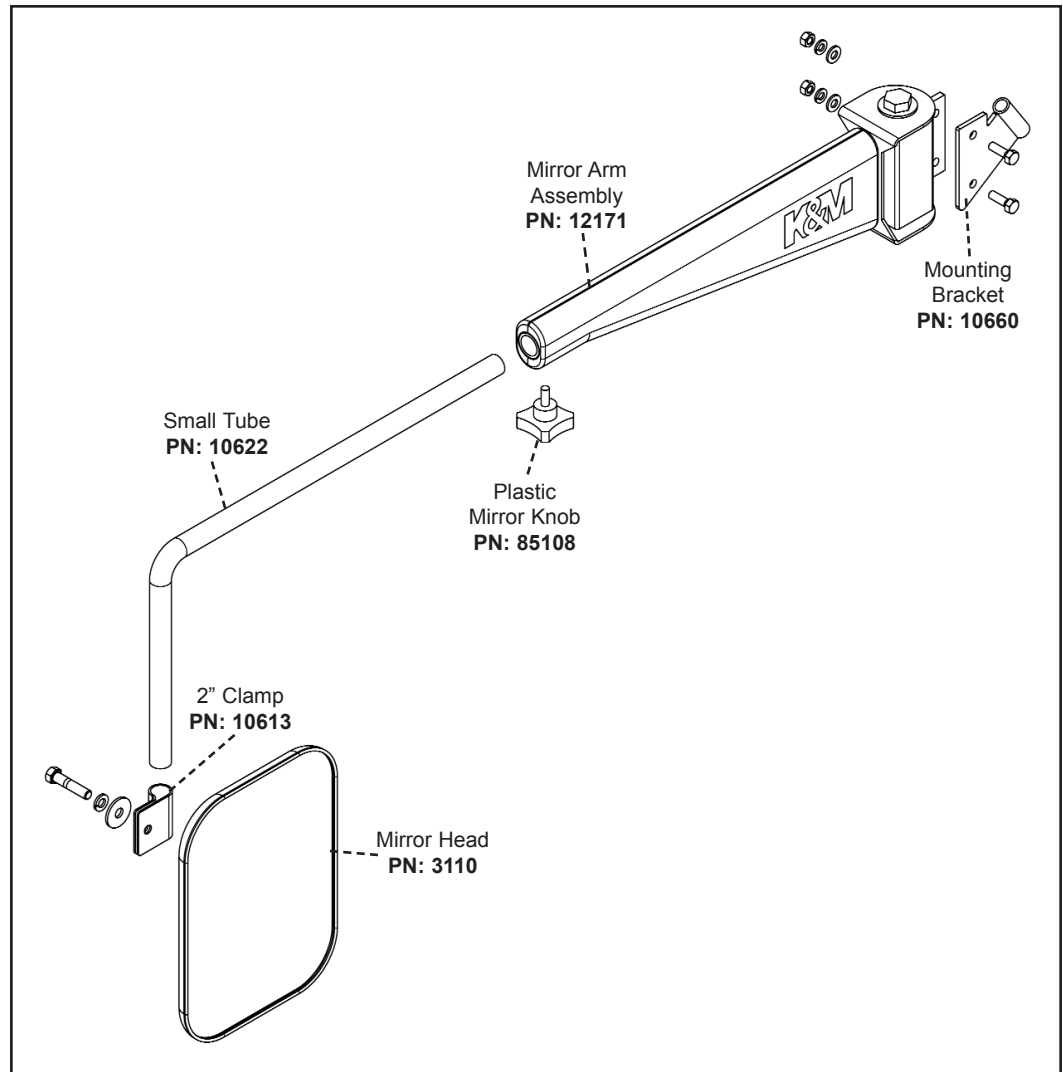
Agco Allis / Agco White Mirror (PN: 3129)

Fits:

**Agco Allis Series 9400-9600-9800
Agco White Series 6100-6200**

NOTE: Mirror can be used on either the right or left side.

1. Fasten the **mirror mounting bracket** to the original cab mirror bracket with a 3/8" x 2.5" bolt and lock nut.
2. Fasten the **mirror arm assembly** to the **mounting bracket** with two 5/16" x 1" full thread bolts, flat washers, lock washers and nuts.
3. Insert the **small tube** into the **mirror arm assembly** and secure with the **plastic mirror knob**.
4. Fasten the **mirror head** to the **small pipe** with the **2" clamp** and included hardware.



Note!

Do not overtighten the plastic mirror knob in step 3.