

## IH 86-88 2 + 2 Door Cylinder Kit (PN: Right-3319 / Left-3320)

1. Mount the **door bracket** to the door as shown. (Left side bracket shown). Place the bracket 2 1/4" from the front edge of the door to the center of the brackets first hole, and 1 1/8" down from the top door frame to the center of the first hole. Mark and drill three 9/32" holes all the way through the door frame.
2. Secure the bracket with the back plate and three 1/4" x 1 1/2" carriage bolts, lock washers, and nuts. Install the ball head on the top of the bracket lip.
3. Remove the pin from the door, check arm, and slide the arm inside the door.

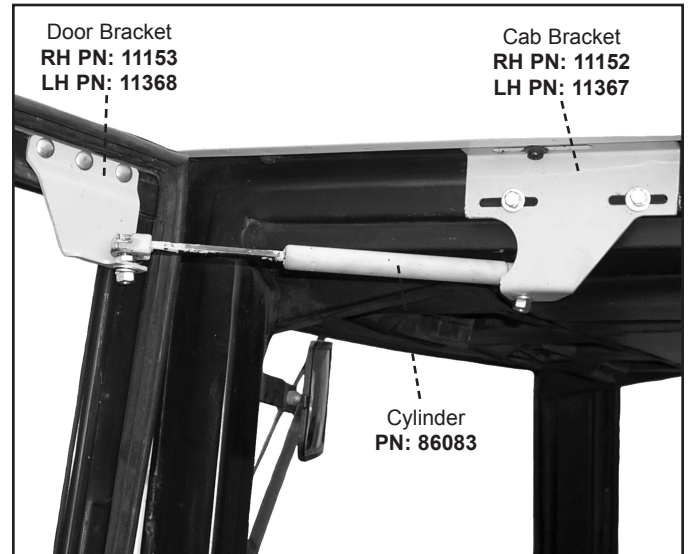


Figure 1

4. Close the door and from the inside measure back 8 1/2" from the front ball head: this is now the approximate location of the rear ball head. By placing the **cab bracket** in that location, you will notice a screw in the upper lip of the door frame. Remove the screw and fasten the **cab bracket** to the door frame with the same screw.
5. Mark the center of the slotted holes, remove the **cab bracket** and drill two holes with a 21/64" bit.

6. Assemble the **bolt, washer, handle** and **rivet nut** as shown in **Figure 2**:  
(Add a drop of oil to the **bolt** and **rivet nut** threads.)

- A. Tap the **rivet nut** into the 21/64" hole.
- B. Hold the **handle** firmly against the **rivet nut** and draw up the bolt until it clinches.  
**DO NOT OVERTIGHTEN!!**
- C. Remove the **bolt, washer** and **handle**. Discard **handle** at this time.
- D. Bolt the **cab bracket** in place with two 1/4" x 1" bolts and washers; draw up until tight.

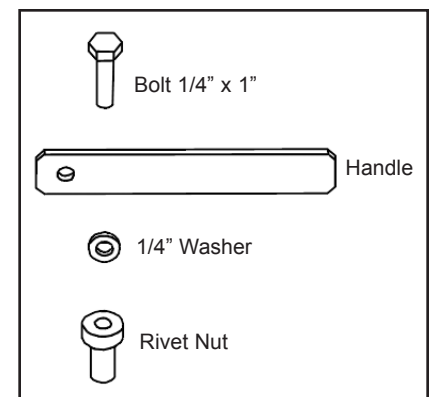


Figure 2

7. Place the ball head on the top of the bracket lip and snap the **cylinder** in place.