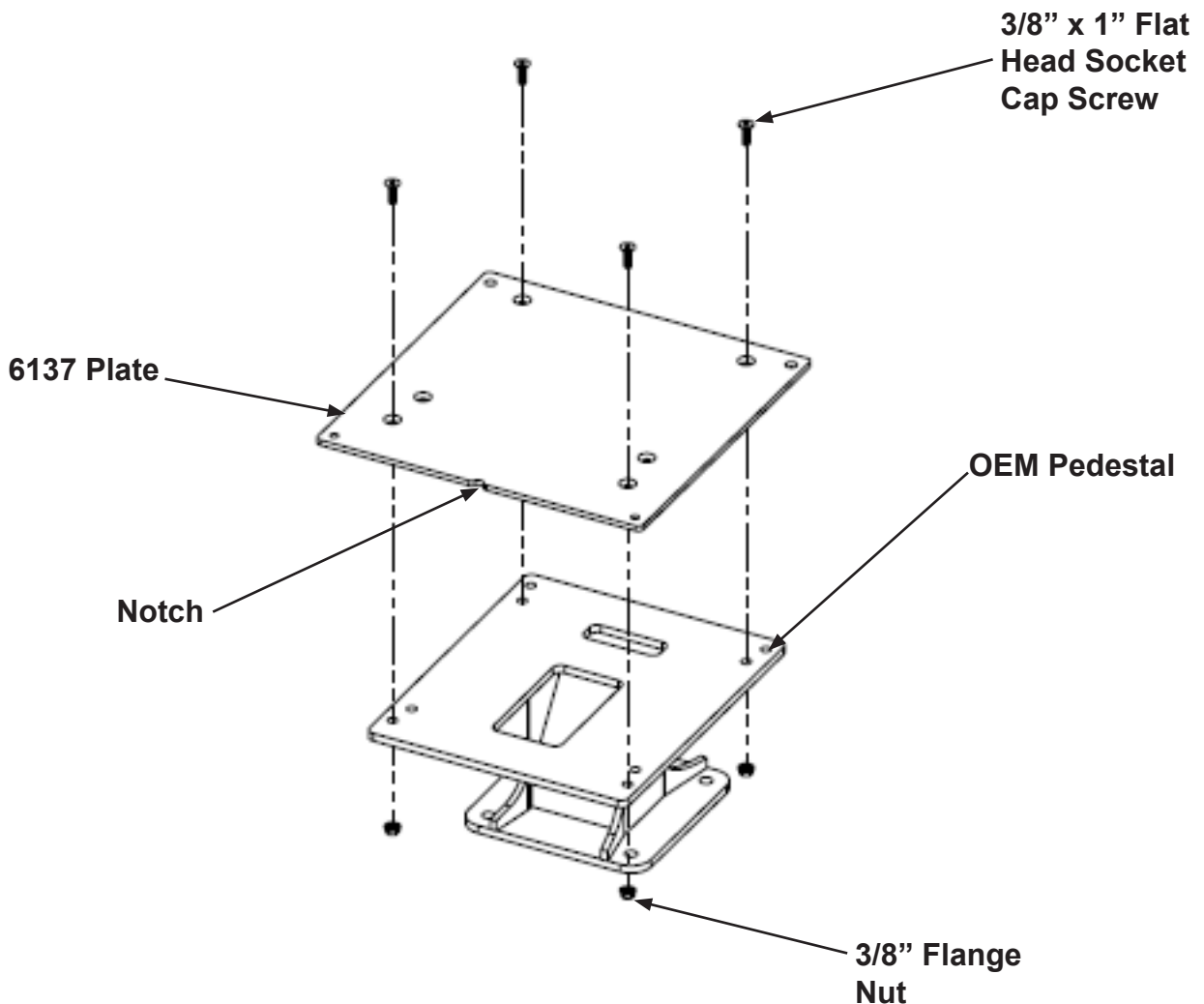


Installation Guide

JD K Series Wheel Loader KM 1201 Kit (PN: 6941)

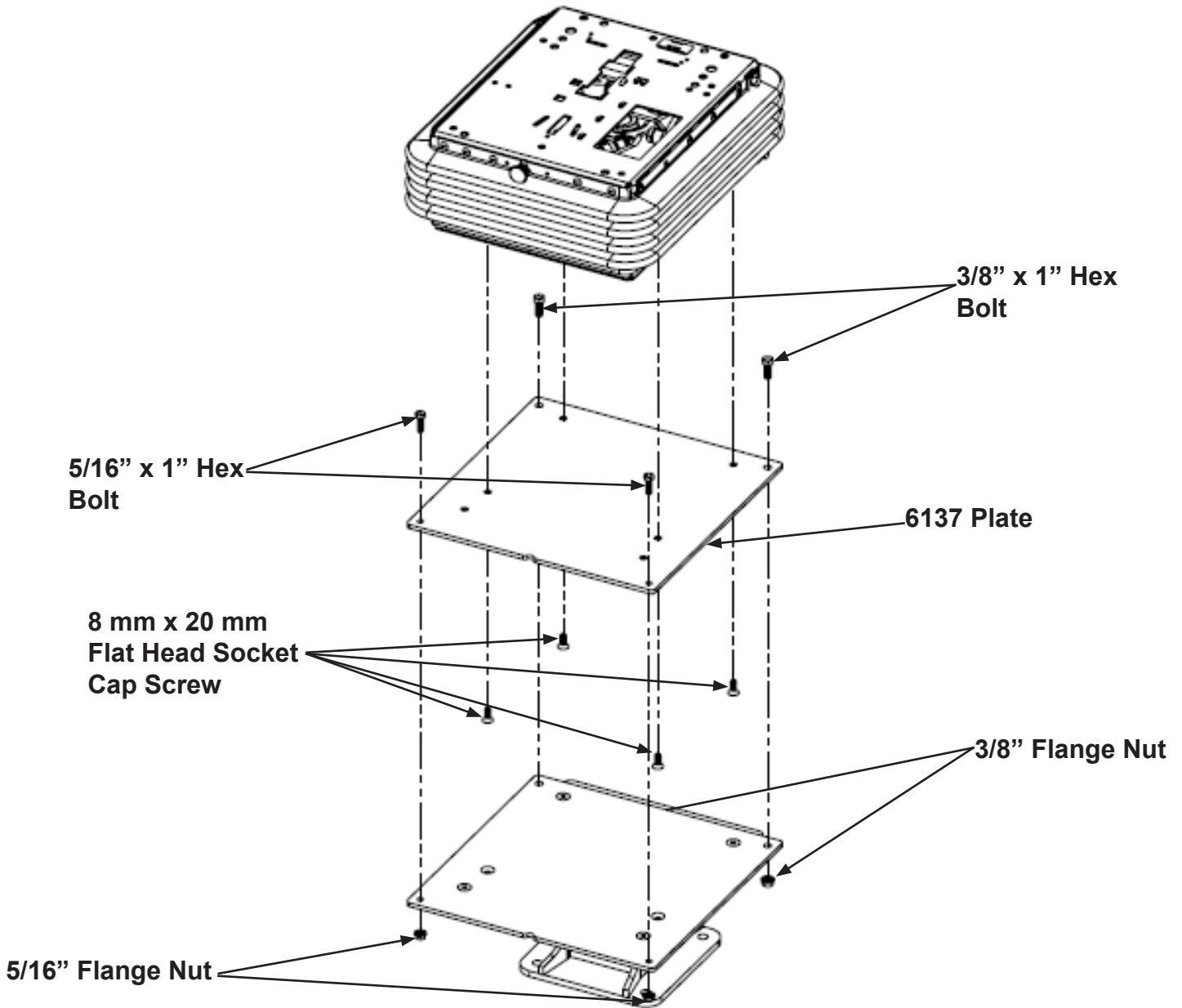
1. Remove the original seat and suspension from the OEM pedestal.
2. Place the 6137 plate on top of the OEM pedestal and fasten in place using four 3/8" x 1" flat head socket cap screws and 3/8" flange nuts. NOTE: The notch in the plate goes to the front.
3. Remove the seat top from the new seat by taking out the four 3/8" bolts and washers holding it to the suspension.



Installation Guide

JD K Series Wheel Loader KM 1201 Kit (PN: 6941)

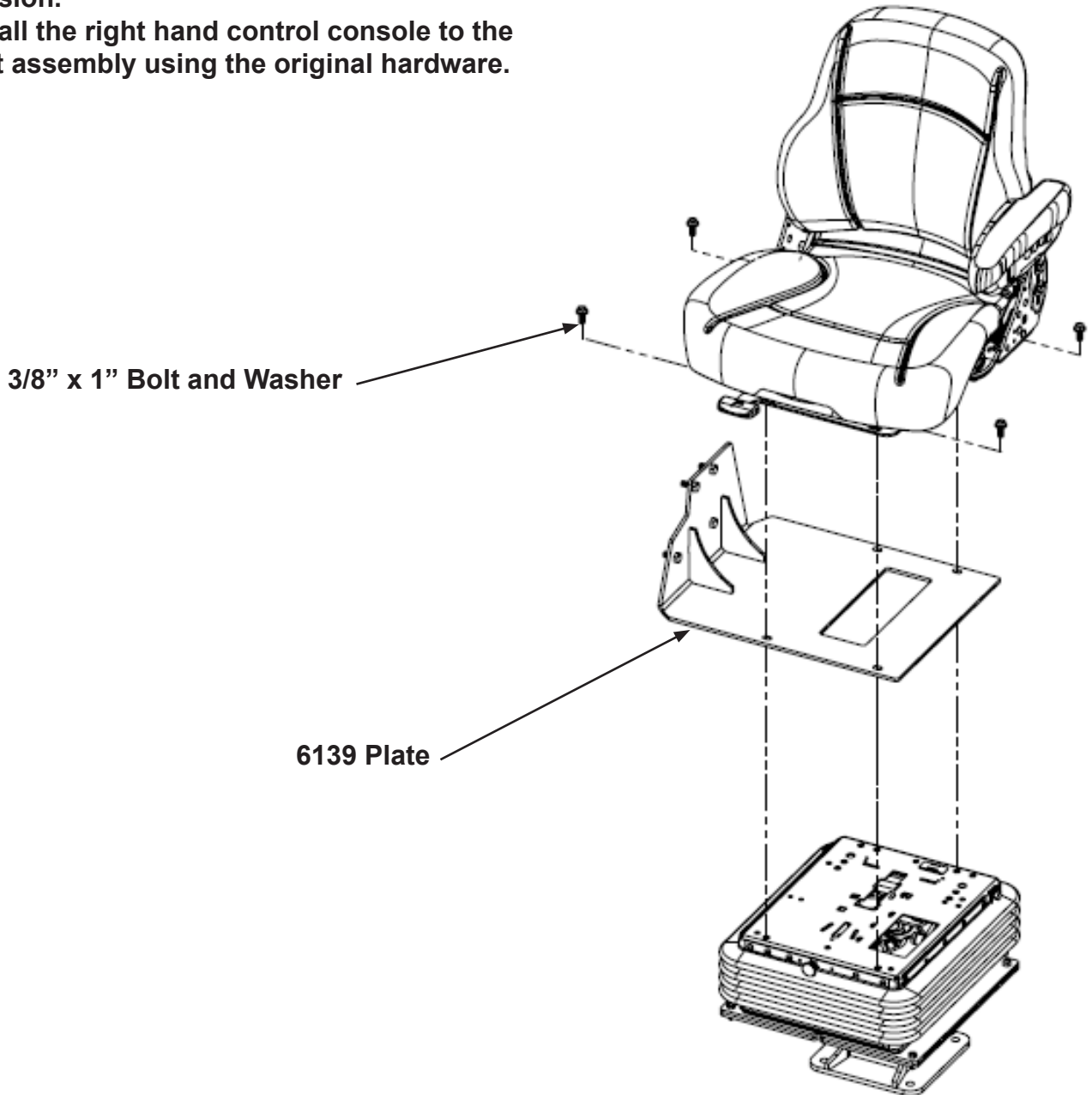
1. Fasten the second 6137 plate to the bottom of the suspension using four 8 mm x 20 mm flat head socket cap screws. The notch on the plate goes to the front.
2. Place the suspension in the cab and fasten to the 6137 plate using two 5/16" x 1" hex bolts and flange nuts in the front holes and two 3/8" x 1" hex bolts and flange nuts in the rear holes.



Installation Guide

JD K Series Wheel Loader KM 1201 Kit (PN: 6941)

1. Place the 6139 plate and the seat top on the suspension and fasten using the four 3/8" x 1" bolts and washer that held the seat top to the suspension.
2. Connect the cab wiring harness to the suspension.
3. Install the right hand control console to the seat assembly using the original hardware.



OPTIONAL LH JOYSTICK STEERING BRACKET INSTALLATION (Only used if the machine is equipped with LH joystick steering controls)

1. Remove the left hand armrest by removing the two bolts and washers holding it in place. Do not discard the bolts or washers.
2. Mount the 6140 joystick steering bracket to the seat using the original bolts and washers.
3. Mount the OEM joystick steering armrest and controls (Not provided).

