



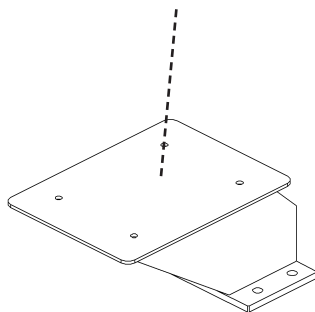
441 Uni Pro  
Black Vinyl  
PN: 8021



440 Uni Pro  
Black Fabric  
PN: 8014



KM MSG93  
Air  
Suspension  
PN: 8080



PED Case 93 R  
PN: 6005

### Installation Instructions to Place a 440 or 441 Uni Pro and an Air Suspension in a Case 930-1030 with Rear Fuel Tank and Comfort King Seat

1. Remove the original seat and suspension mechanisms.
2. Slide the bottom half of the slide rails off of the new 441 Uni Pro seat. Mount the lower half of the the slide rails to the top of the suspension using the 8mm x 12mm socket head cap screws. NOTE: If the slide rails have studs in the bottom half they will need to be pounded out.
3. Loosen the bolts holding the top half of the slide rails on the seat. Adjust them to align with the lower half of the rails on the suspension and re-tighten.
4. Bolt the suspension to the pedestal with four 5/16" x 5/8" bolts and flange nuts.
5. Bolt the suspension and pedestal assembly to the tractor casting with the original bolts.
6. Slide the rail and seat assembly on to the suspension.
7. Connect Suspension to power source.