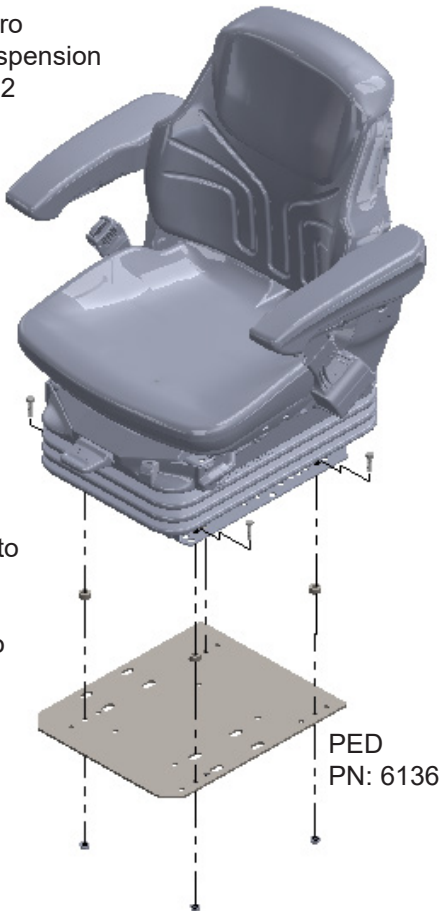


Installation Guide 6688

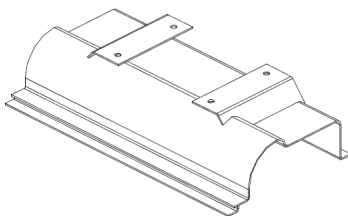
Installation Instructions to Replace an Original Hydraulic Suspension with a 1055 Uni Pro Seat and Suspension in an IH 86/88 Series Tractor

1055 Uni Pro
Seat & Suspension
PN: 7922



Note!
Weight needs to
be applied
to the
suspension to
activate the
pump.

PED
PN: 6136



Original
Support Bracket

1. Remove the original seat and suspension from the tractor.
2. Cap the hydraulic lines with the nuts and plugs provided. Hydraulic lines need to be capped below the cab. Cut and plug the breather line by turning a 5/16" bolt into the tube.
3. Fasten the 6136 PED to the support bracket with original bolts and nuts. Use holes so PED is offset to the left.
4. Bolt the seat and suspension assembly to the pedestal with four 5/16" x 1" bolts, 7/16" spacer nut and flange nuts.

NOTE:

It may help to remove the seat from the suspension. To do so remove the cushion by taking out the three Torx head screws from the bottom front of the seat, then remove the bolts holding the seat to the slide rails.

5. Locate a power source and connect the suspension to power and ground.