

**Original Grammer
OEM Seat**



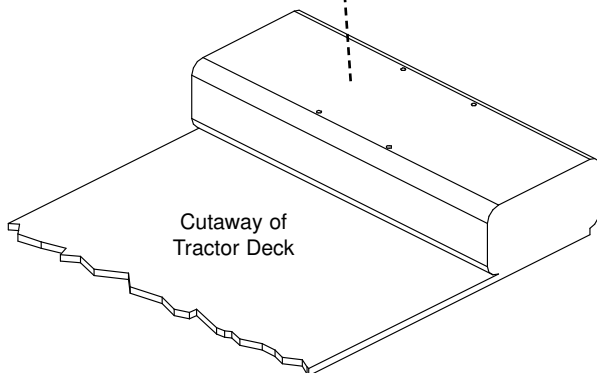
Deluxe Air
Suspension
PN: 6084

Note!

Weight needs to be applied to the suspension to activate the pump.

Installation Instructions to Place an Air Suspension with the OEM Grammer Seat in a Ford 7410, 7700, 7710, 7810, 7910, 8210, 8630, 8700, 8730, 8830, 9030, 9700 or TW Series Tractor

1. Remove the original seat and suspension mechanisms.
2. Bolt the suspension to the tractor deck using the original bolts. **Drilling will be required.**
3. Fasten the seat to the suspension with four 5/16" x 3/4" bolts and flange nuts.
4. Locate a power source and connect the suspension to power and ground.



Cutaway of
Tractor Deck